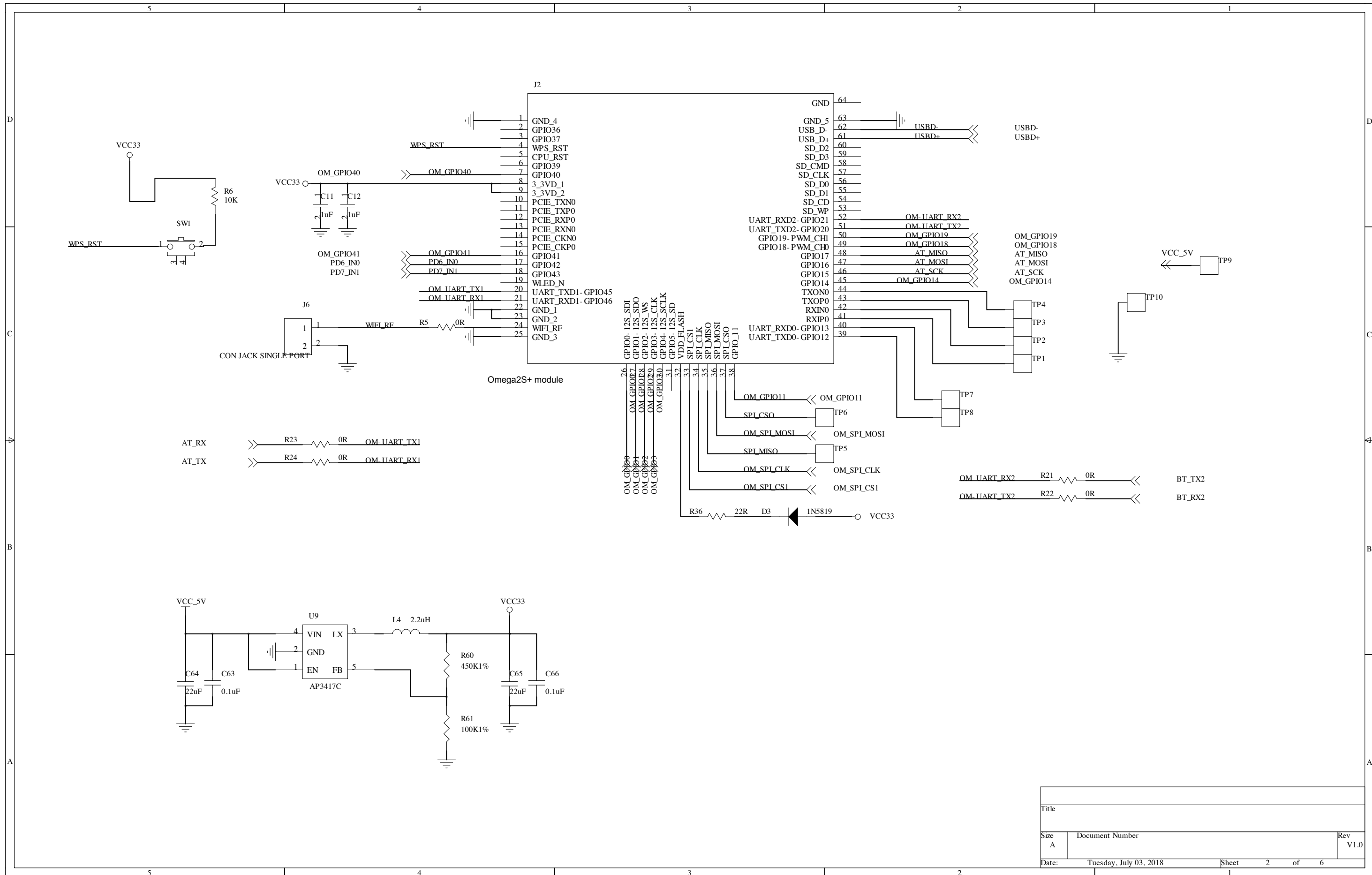
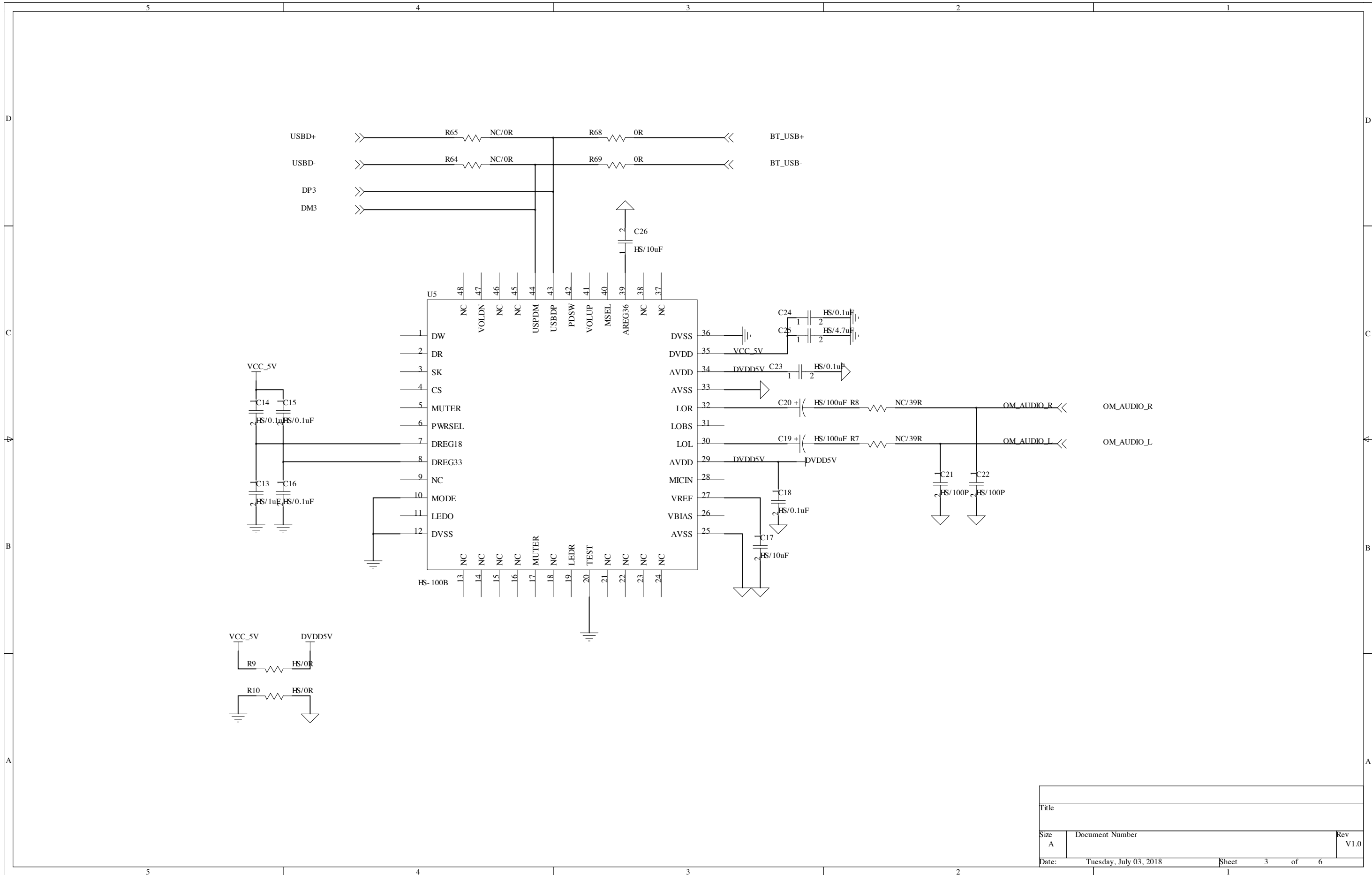


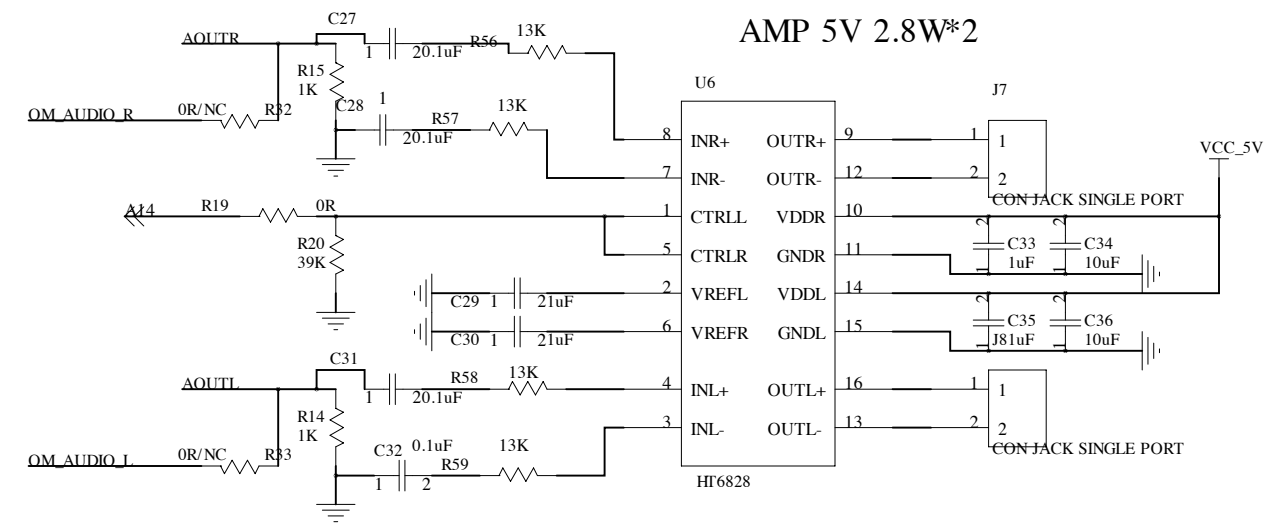
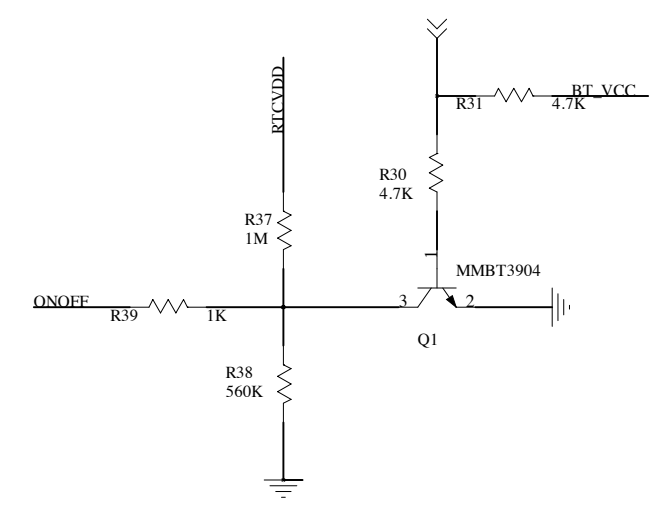
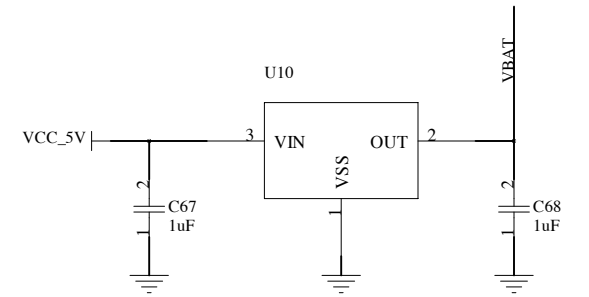
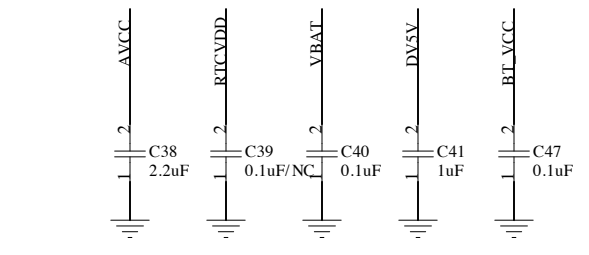
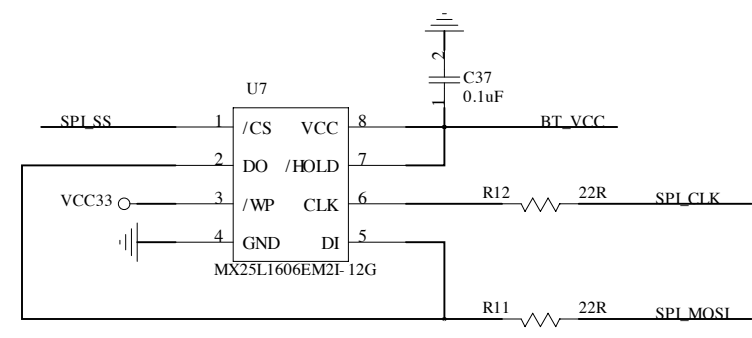
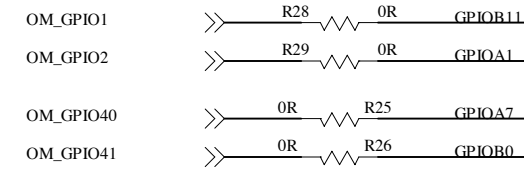
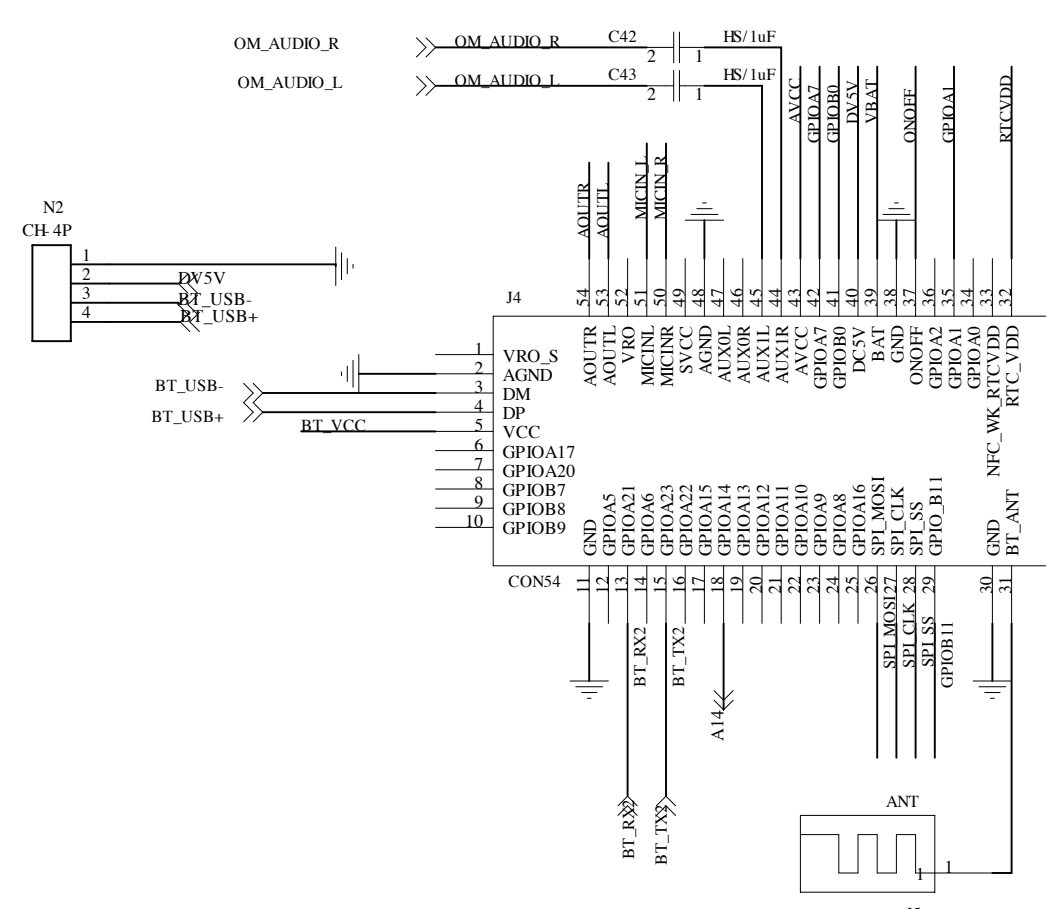
Title		
Size A	Document Number	Rev V1.0
Date: Tuesday, July 03, 2018	Sheet 1 of 6	



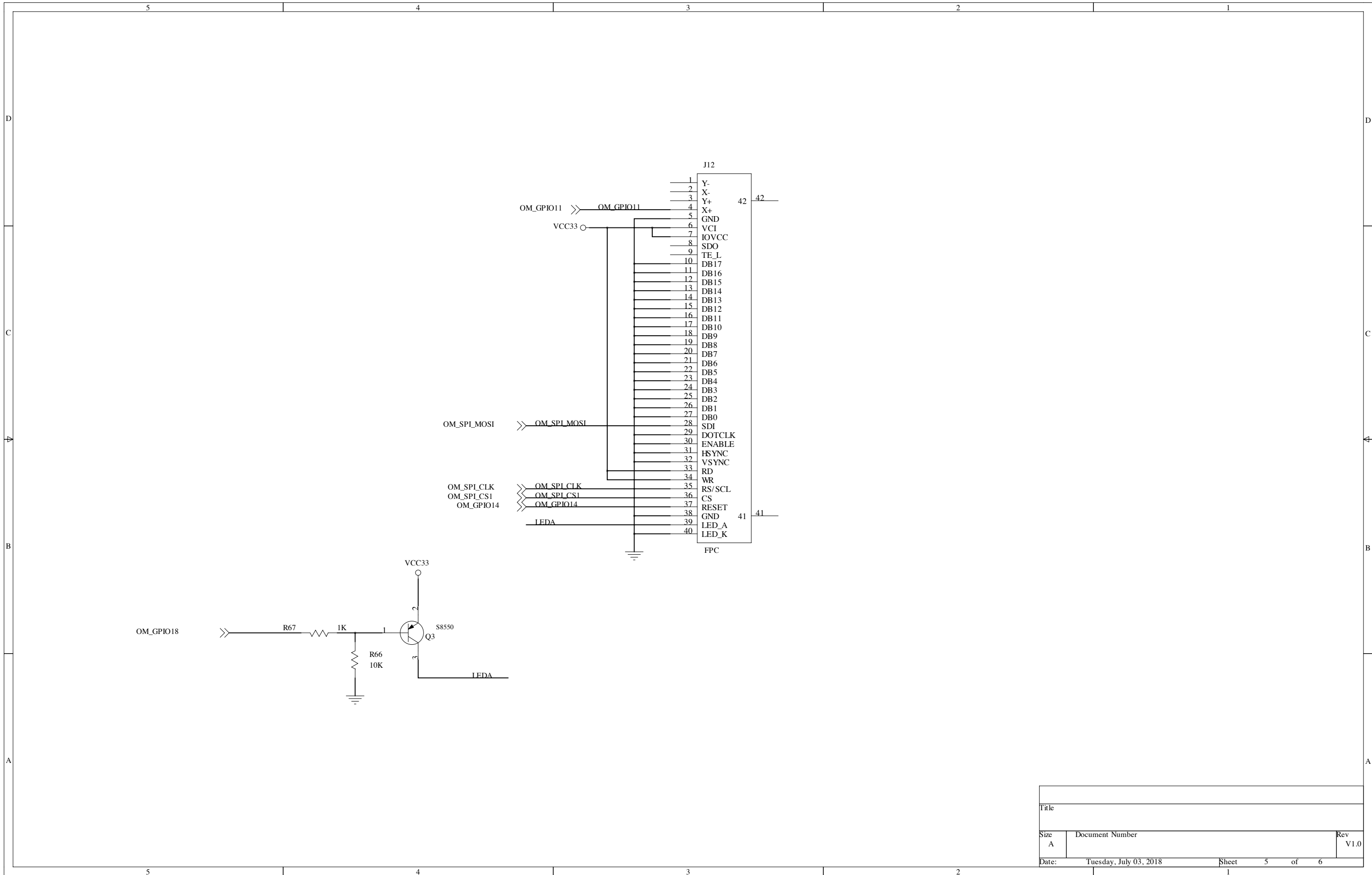
Title		
Size A	Document Number	Rev V1.0
Date: Tuesday, July 03, 2018	Sheet 2 of 6	



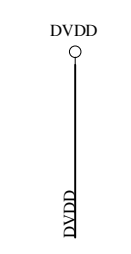
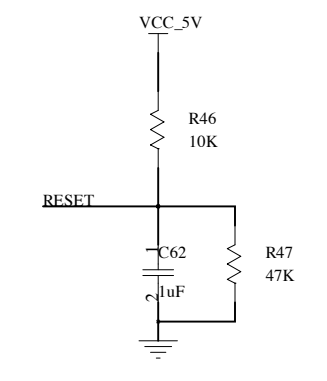
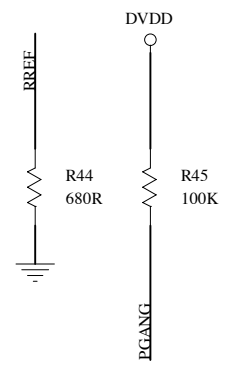
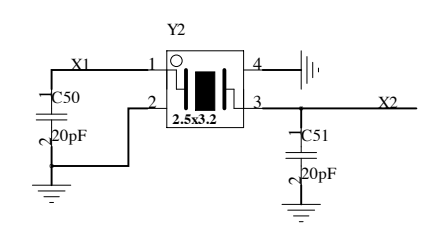
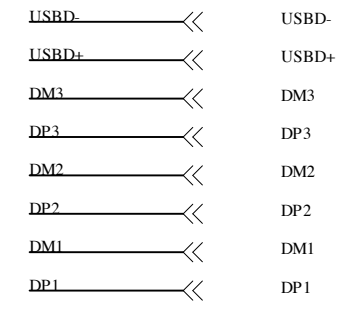
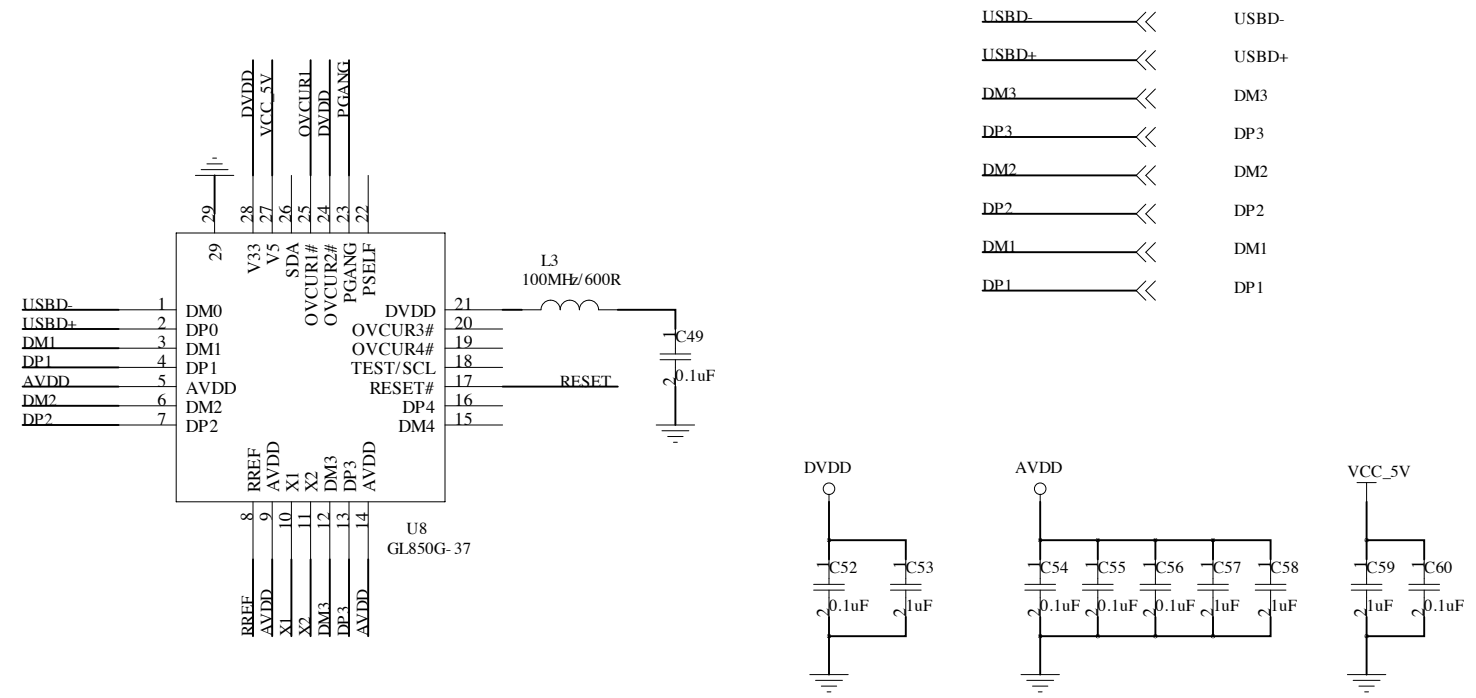
Title		
Size A	Document Number	Rev V1.0
Date: Tuesday, July 03, 2018	Sheet 3 of 6	



Title		
Size A	Document Number	Rev V1.0
Date: Tuesday, July 03, 2018	Sheet 4 of 6	



Title		
Size A	Document Number	Rev V1.0
Date:	Tuesday, July 03, 2018	Sheet 5 of 6



Title		
Size A	Document Number	Rev V1.0
Date:	Tuesday, July 03, 2018	Sheet 6 of 6