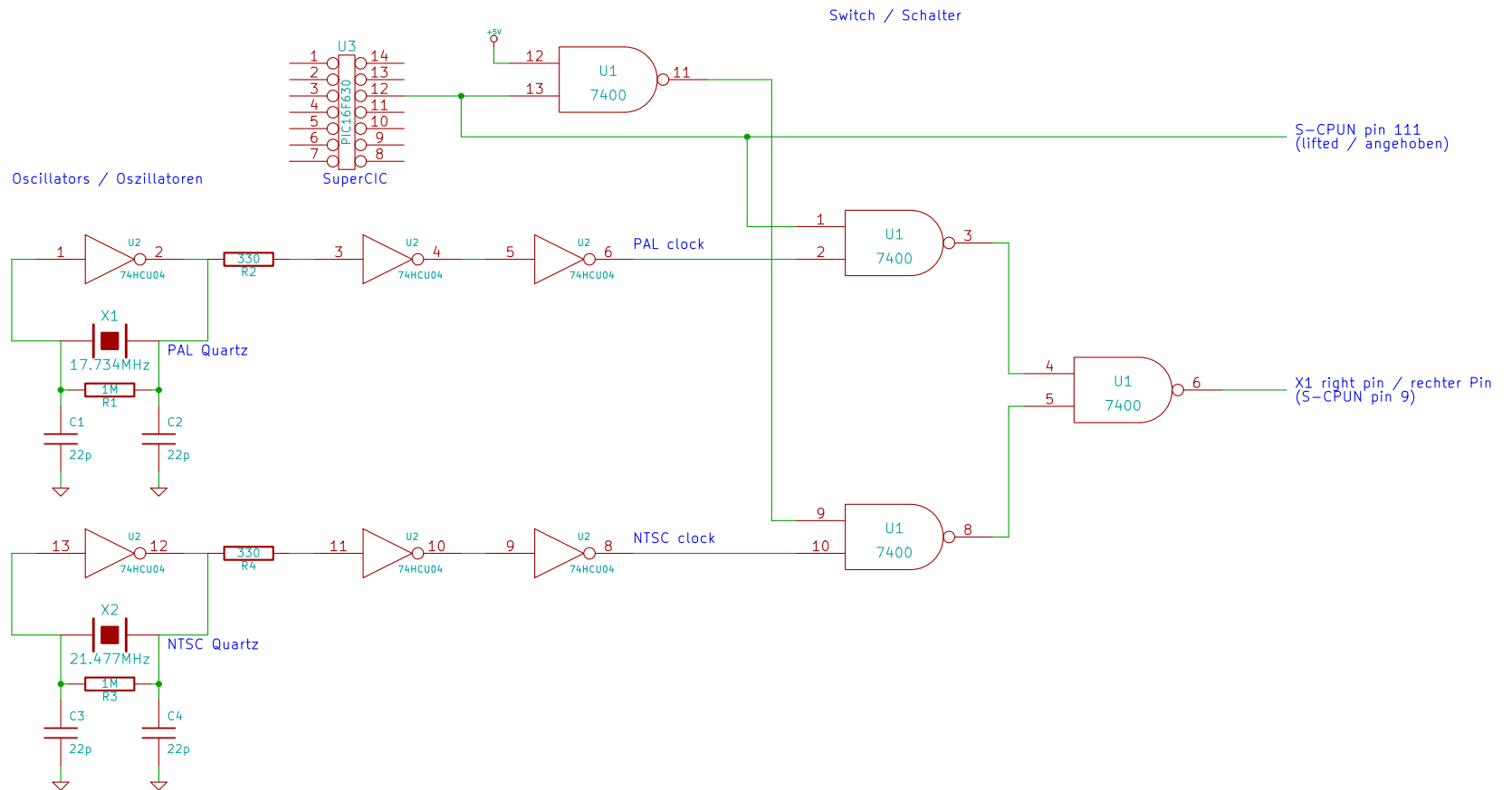


1chip / junior switchless 50/60Hz mod

©2010 ikari_01



ikari_01	
File: 1chip-5060.sch	
Sheet: /	
Title: 1chip-5060.sch	
Size: A4	Date: 7 Jun 2010
KiCad E.D.A.	Rev: A
	Id: 1/1