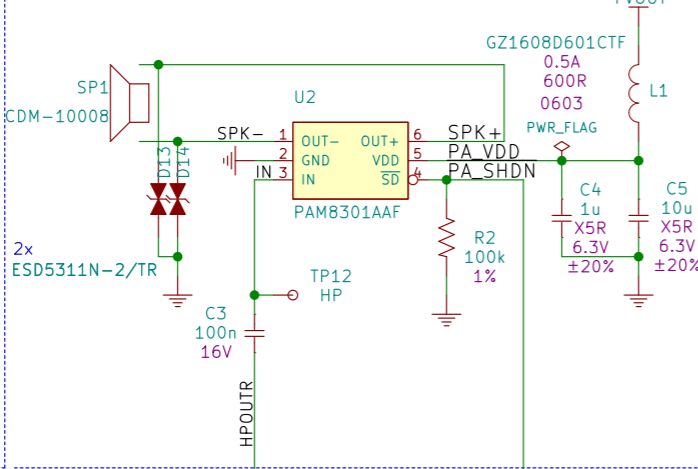


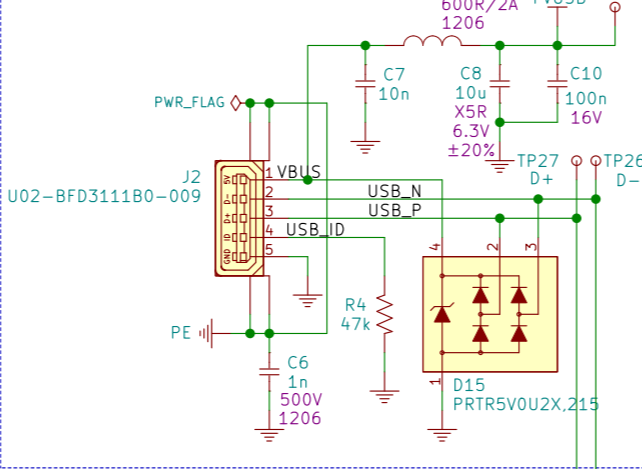
# REVISION HISTORY

- Rev. A: - Initial version
- Rev. B: - Correct SZ resistor value  
- Increase test pad diameter to 1 mm  
- Drive LCD RESET from a CPU GPIO  
- Add magnetic Reed switch for cover detection  
- Change speaker mounting  
- Solve mechanical interferences
- Rev. C: - Add test pads for MicroSD and USB  
- Correct bug (short) of via on AXP209 QFN exposed pad  
- Change shoulder buttons to Panasonic
- Rev. D: - Revert shoulder buttons to Omron
- Rev. E: - Change shoulder buttons to Panasonic (larger ones)  
- Add TE signal for LCD sync  
- Trimmed pull-up/down values for LED brightness and lower power consumption

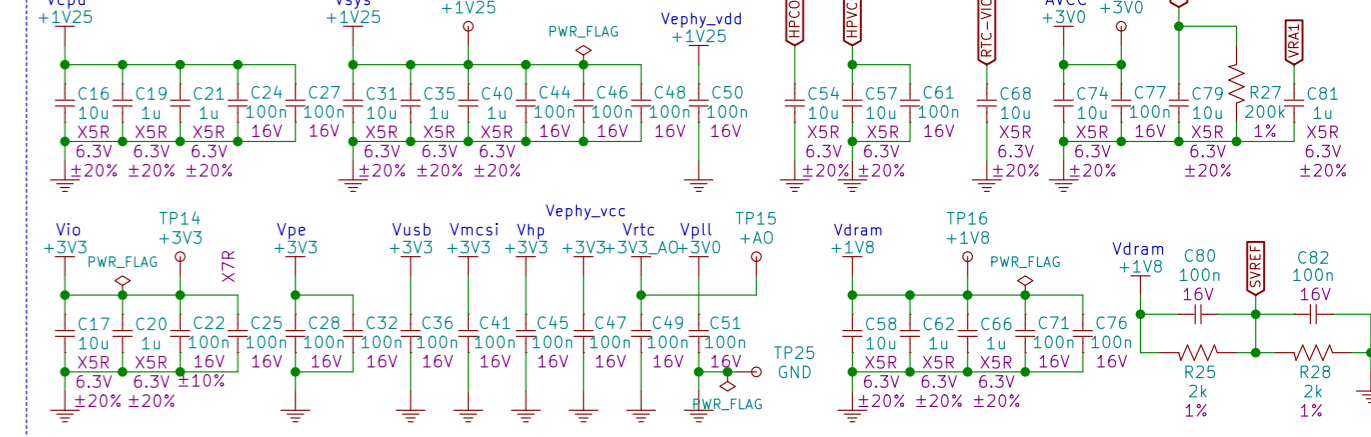
# AUDIO



# USB DEVICE

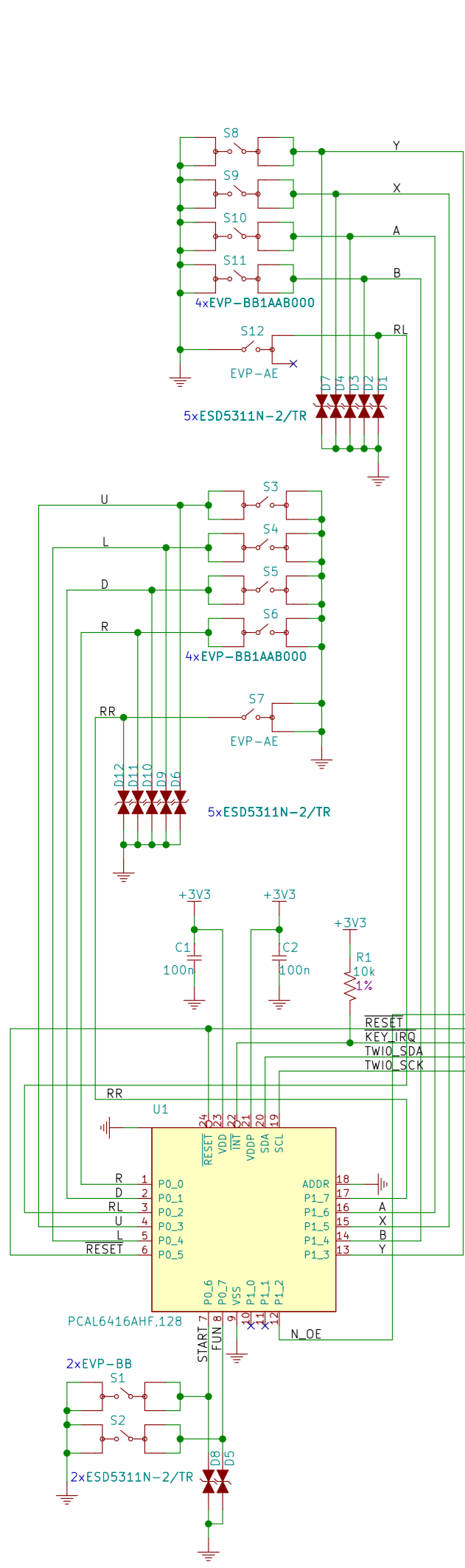


# SD CARD POWER

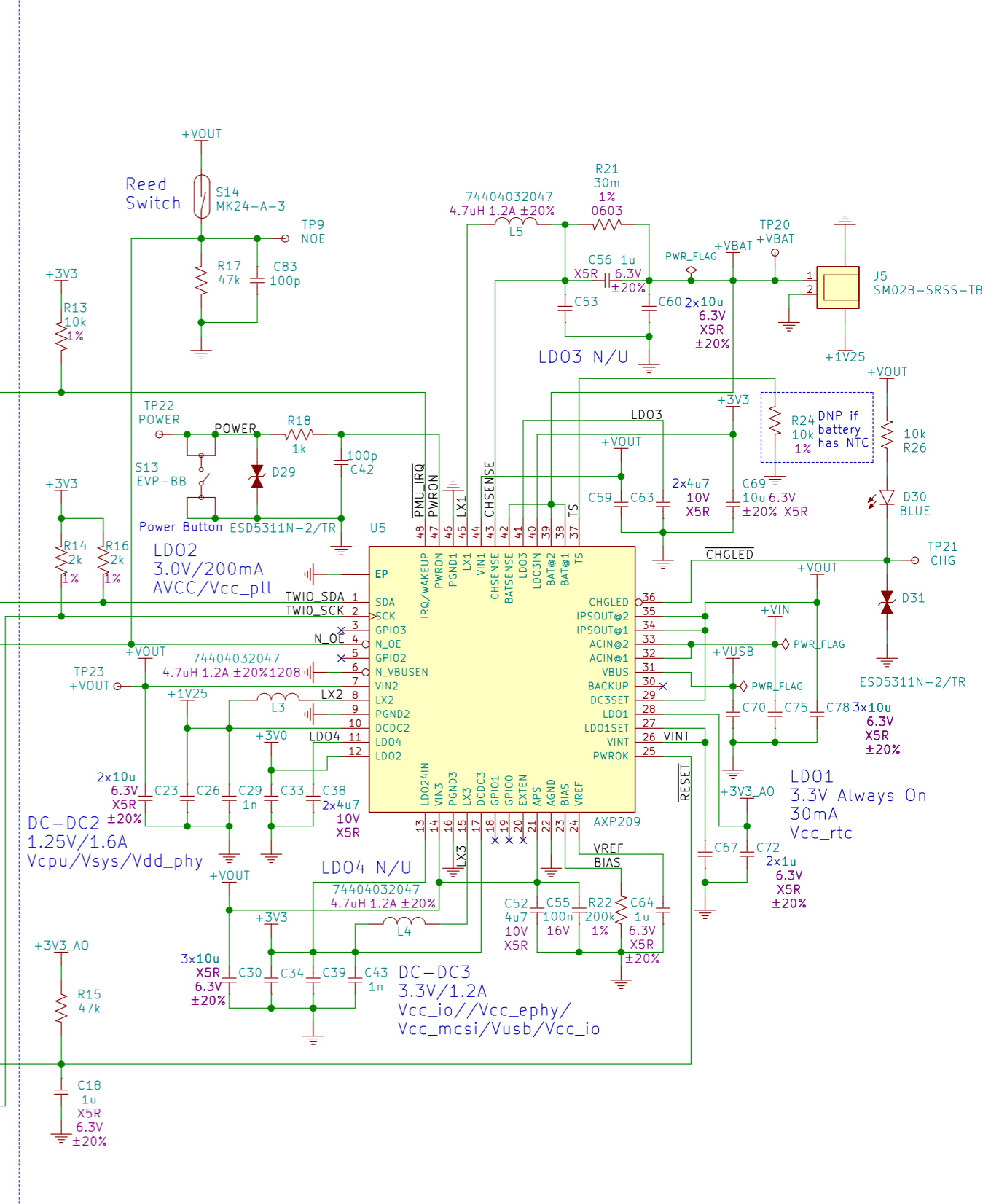


# BUTTONS

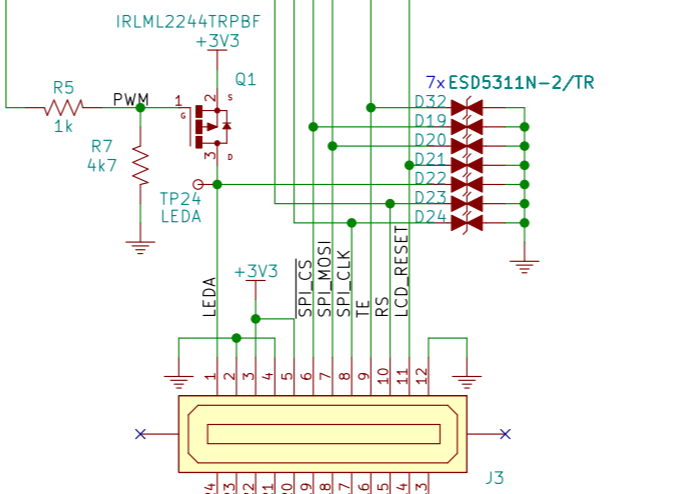
Note: Using U1 internal pull-ups on all buttons



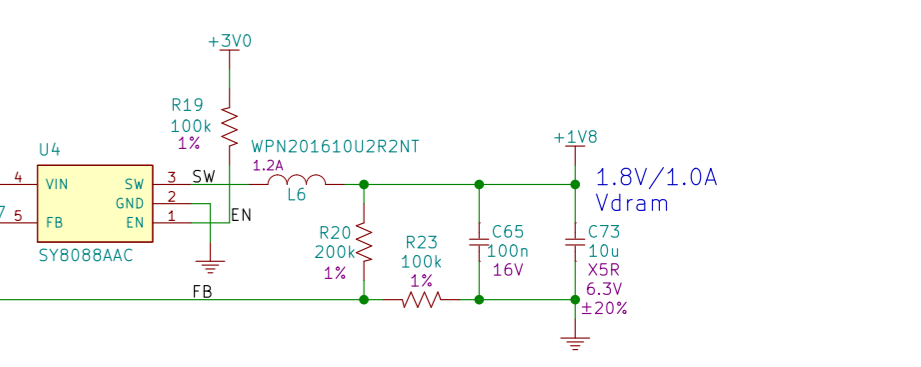
# CPU PMIC



# CONSOLE



# SPI LCD DRAM POWER



Resistors are 5% 1/16W 0402 unless otherwise specified  
Ceramic capacitors are ±10% 50V X7R dielectric 0402 unless otherwise specified