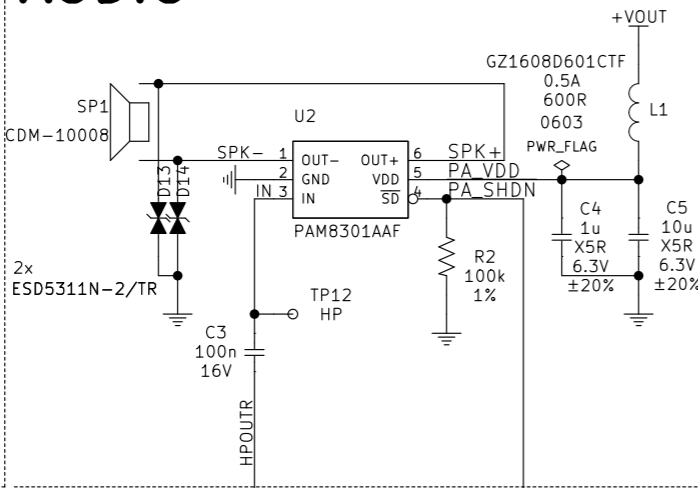


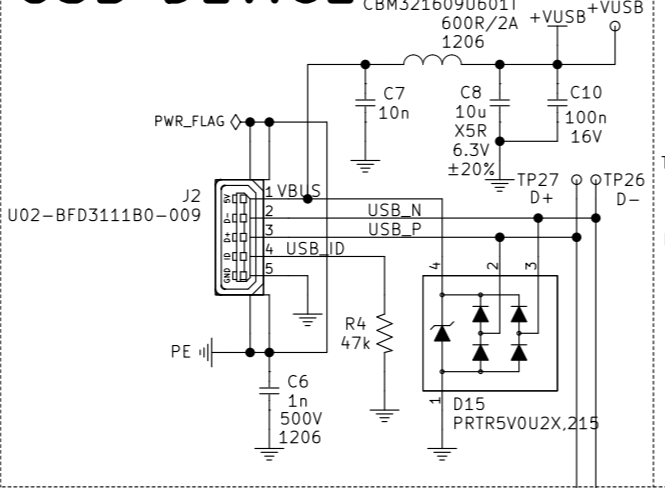
REVISION HISTORY

- Rev. A: - Initial version
- Rev. B: - Correct SZ resistor value
- Increase test pad diameter to 1 mm
- Drive LCD RESET from a CPU GPIO
- Add magnetic Reed switch for cover detection
- Change speaker mounting
- Solve mechanical interferences
- Rev. C: - Add test pads for MicroSD and USB
- Correct bug (short) of via on AXP209 QFN exposed pad
- Change shoulder buttons to Panasonic
- Rev. D: - Revert shoulder buttons to Omron
- Rev. E: - Change shoulder buttons to Panasonic (larger ones)
- Add TE signal for LCD sync
- Trimmed pull-up/down values for LED brightness and lower power consumption

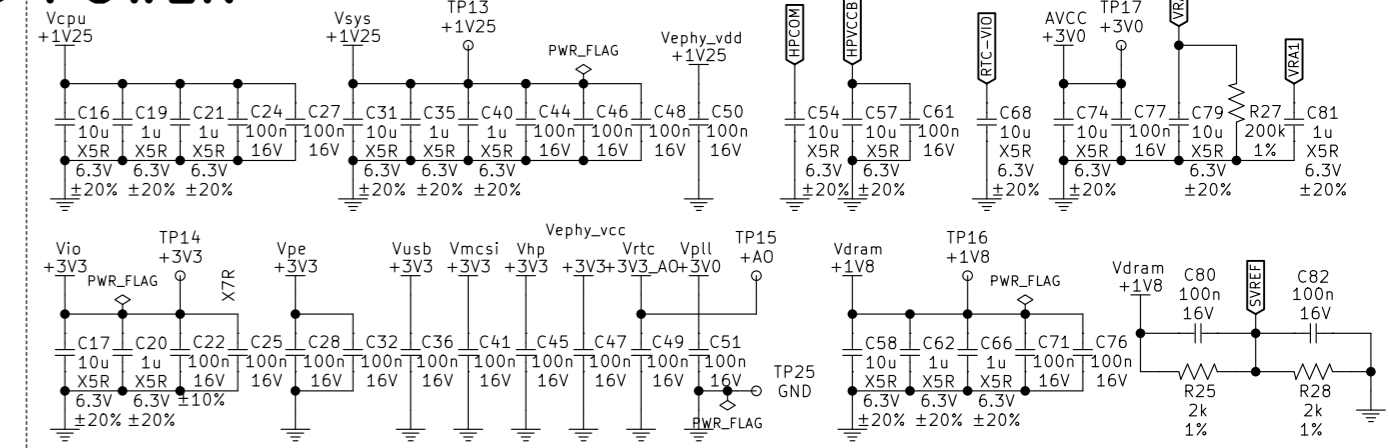
AUDIO



USB DEVICE

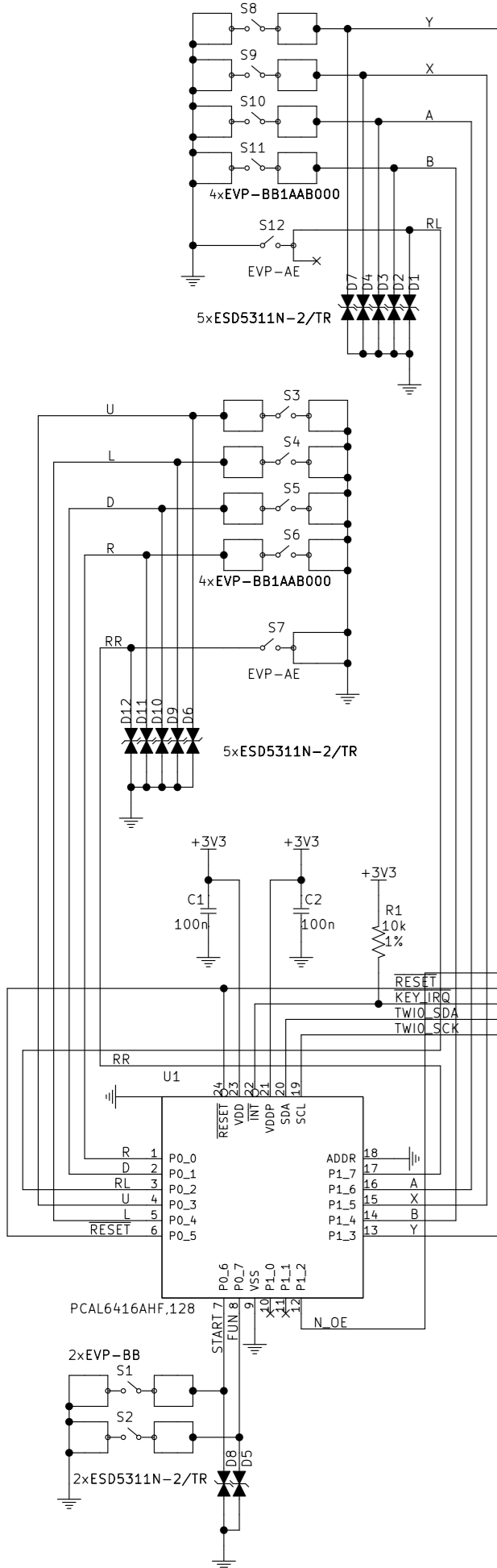


SD CARD POWER

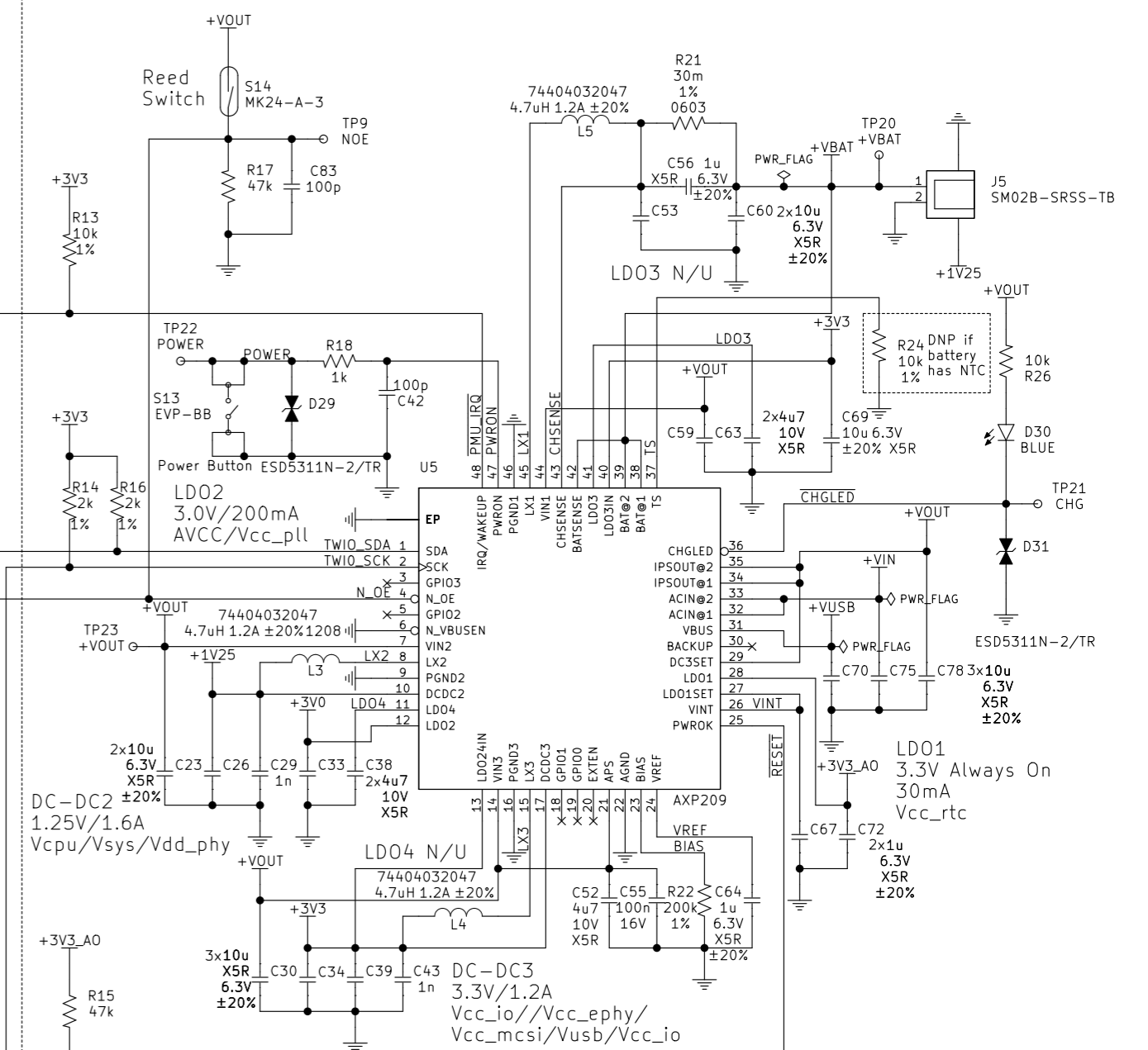


BUTTONS

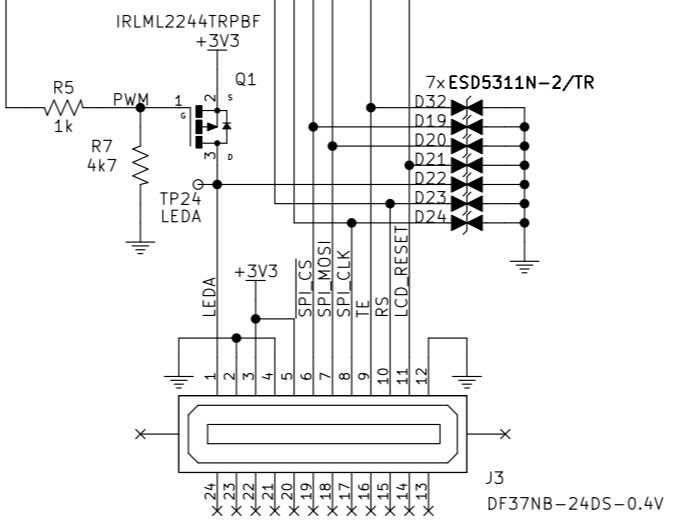
Note: Using U1 internal pull-ups on all buttons



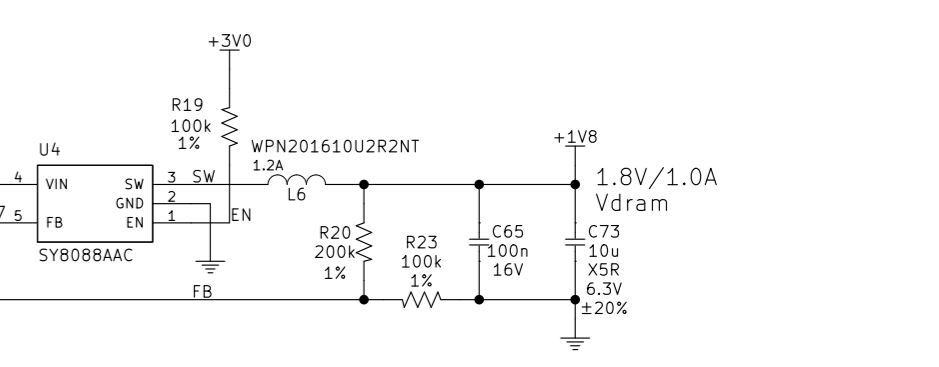
CPU PMIC



CONSOLE



SPI LCD DRAM POWER



Resistors are 5% 1/16W 0402 unless otherwise specified
Ceramic capacitors are ±10% 50V X7R dielectric 0402 unless otherwise specified