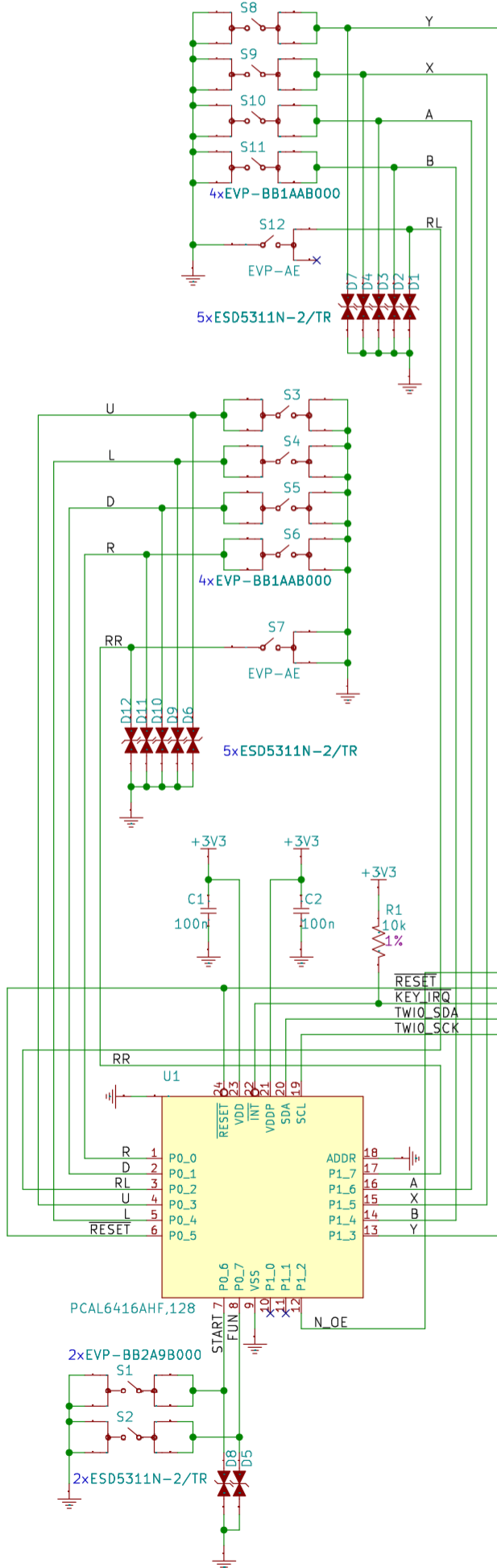


REVISION HISTORY

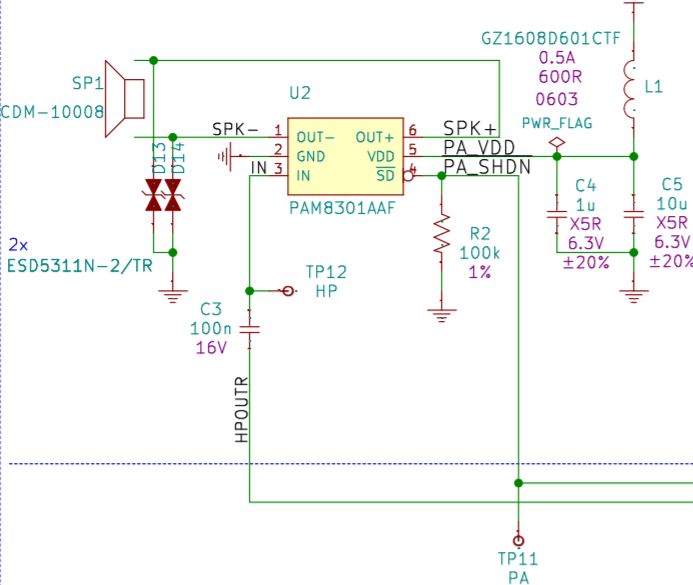
- Rev. A: Initial version
- Rev. B:
 - Correct SZ resistor value
 - Increase test pad diameter to 1 mm
 - Drive LCD RESET from a CPU GPIO
 - Add magnetic Reed switch for cover detection
 - Change speaker mounting
 - Solve mechanical interferences
- Rev. C:
 - Add test pads for MicroSD and USB
 - Correct bug (short) of via on AXP209 QFN exposed pad
 - Change shoulder buttons to Panasonic
- Rev. D: Revert shoulder buttons to Omron
- Rev. E:
 - Change shoulder buttons to Panasonic (larger ones)
 - Add TE signal for LCD sync
 - Trimmed pull-up/down values for LED brightness and lower power consumption
- Rev. F:
 - Lengthen speaker tabs
 - Add drills in the side button corners to make cutout square

BUTTONS

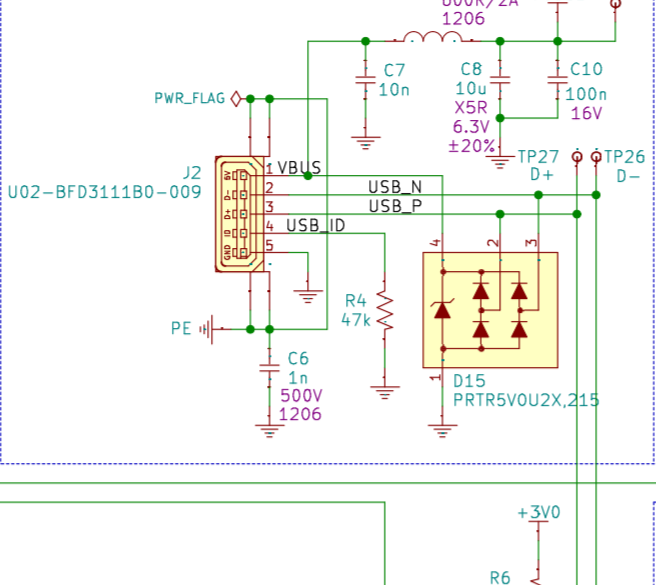
Note: Using U1 internal pull-ups on all buttons



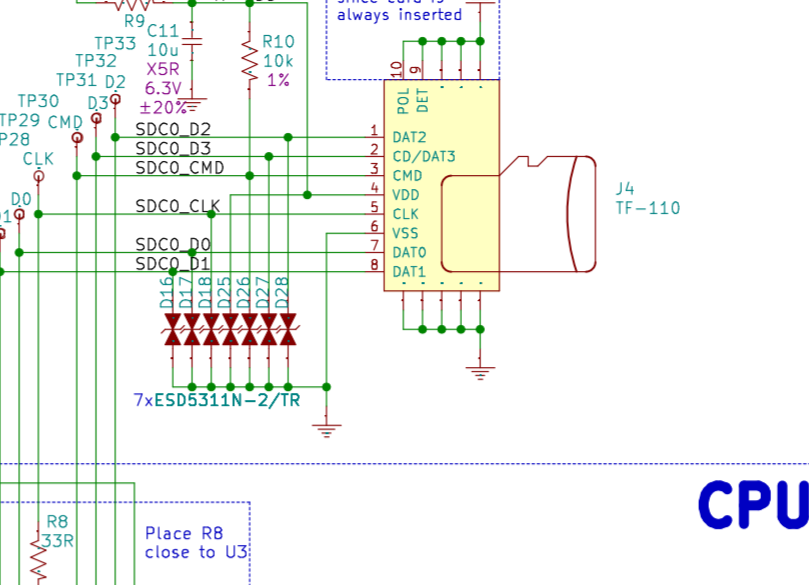
AUDIO



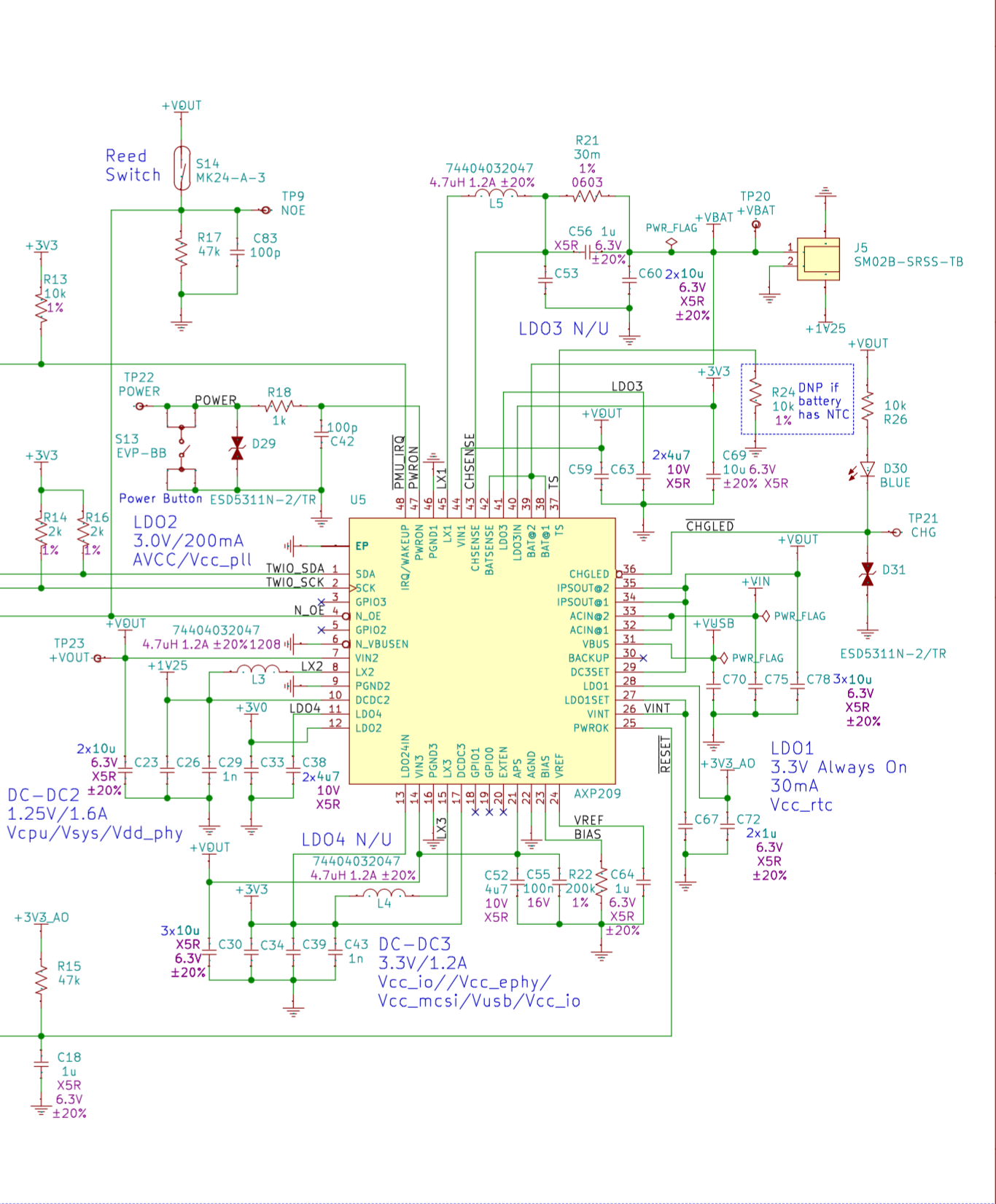
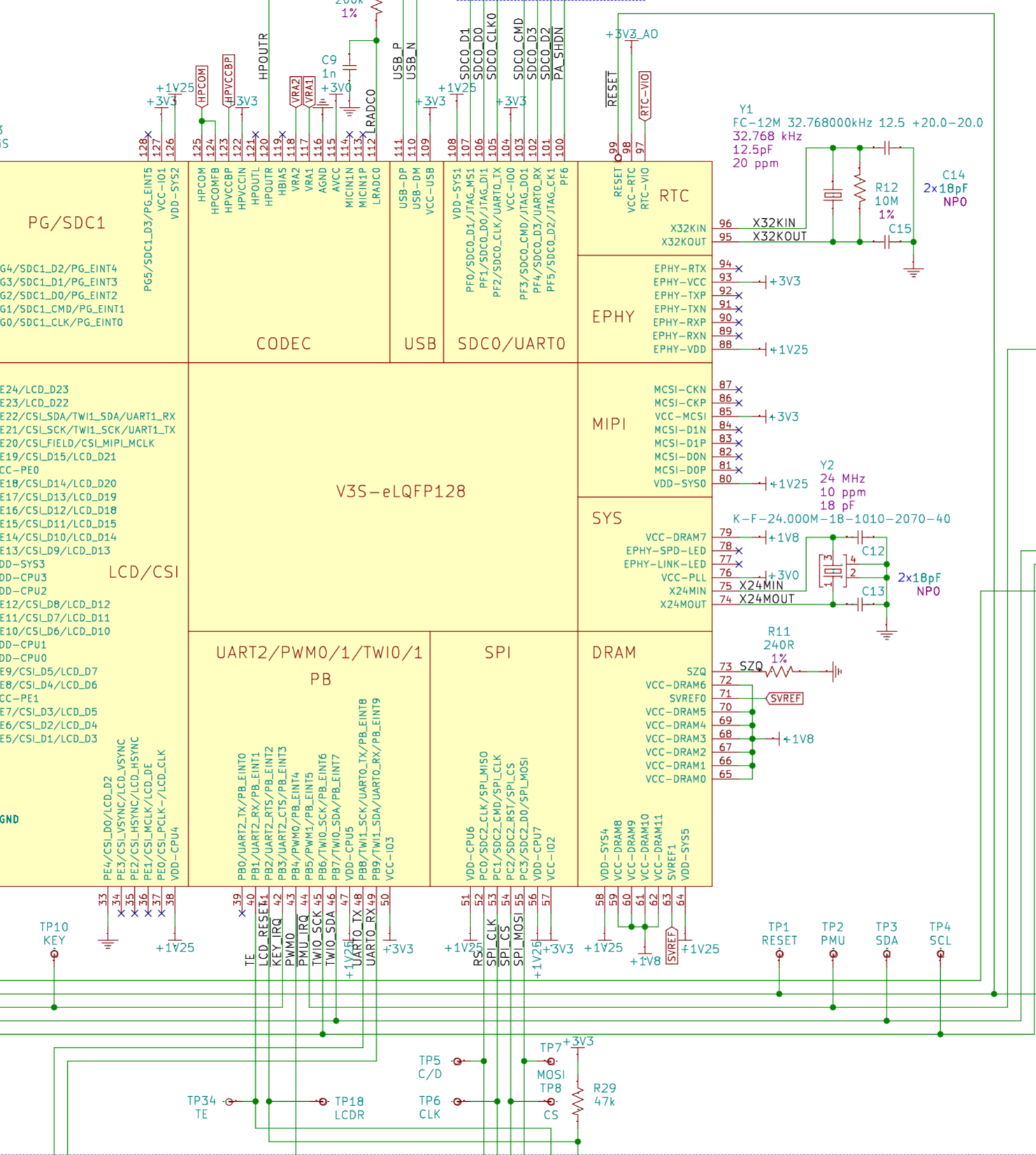
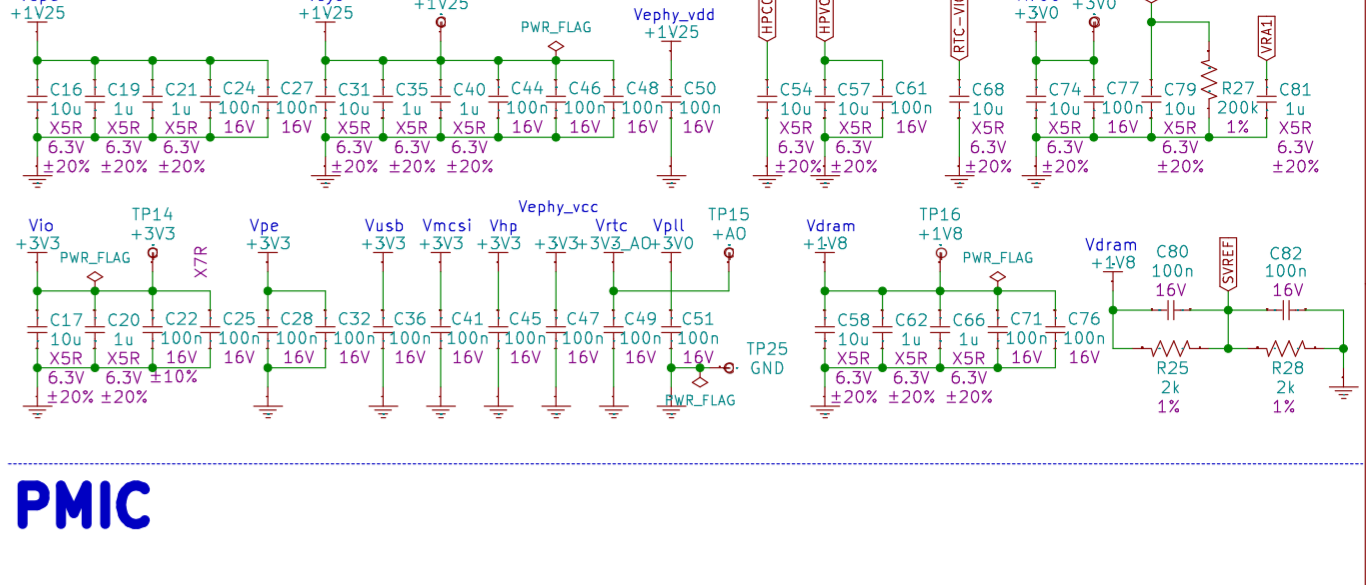
USB DEVICE



SD CARD POWER



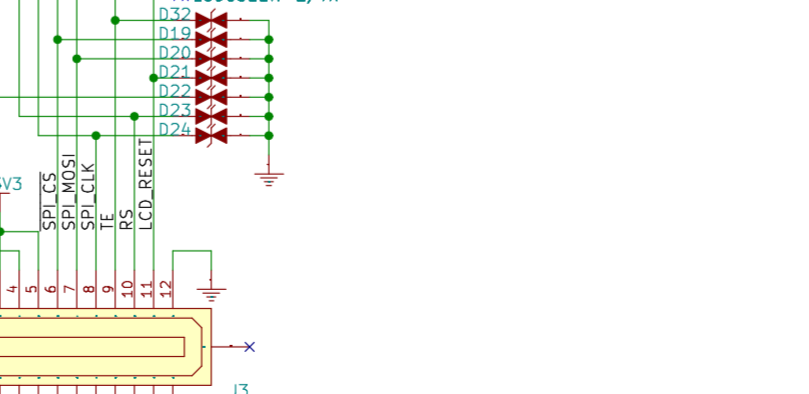
CPU PMIC



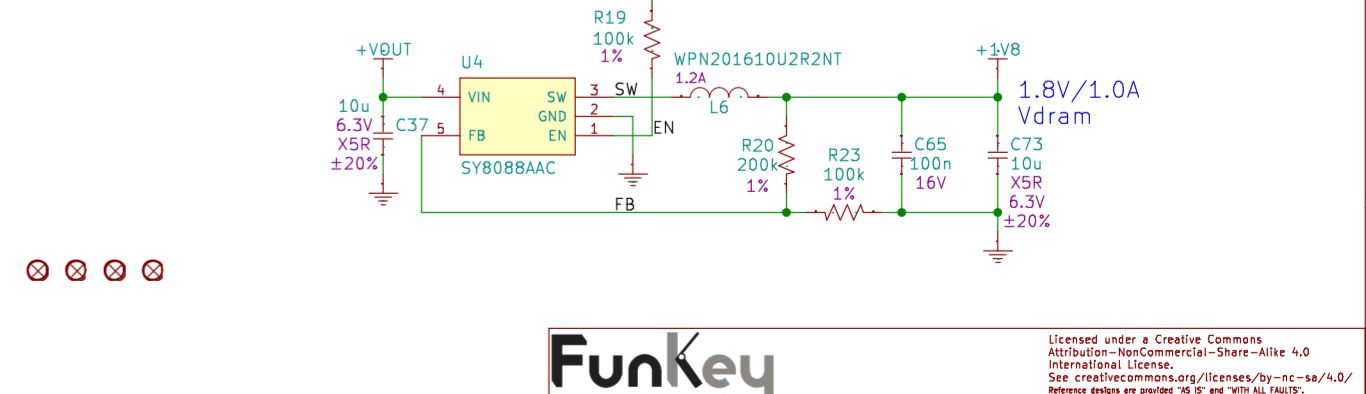
CONSOLE



SPI LCD



DRAM POWER



Resistors are 5% 1/16W 0402 unless otherwise specified
Ceramic capacitors are ±10% 50V X7R dielectric 0402 unless otherwise specified