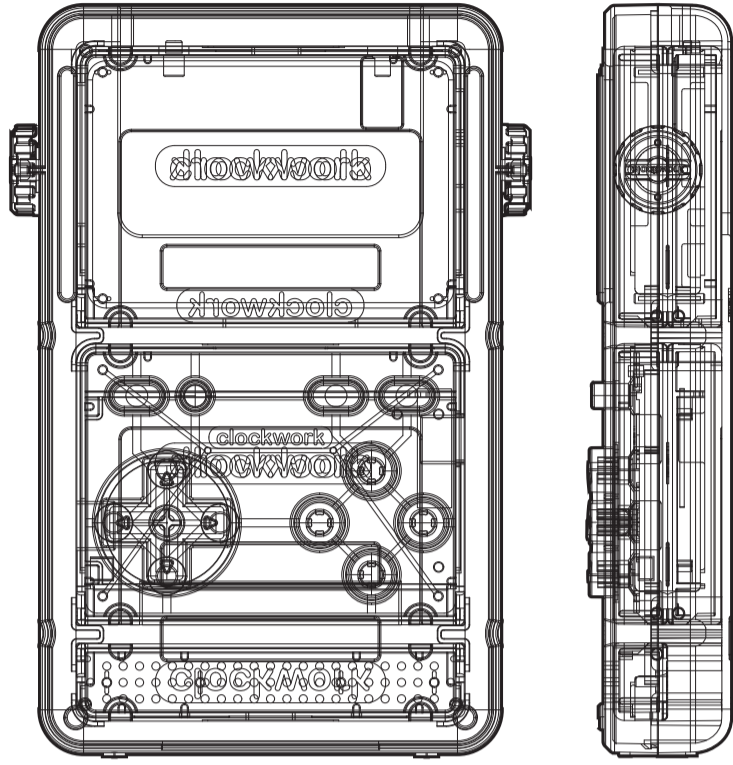


GameShell

Assembly Guidelines



clockwork

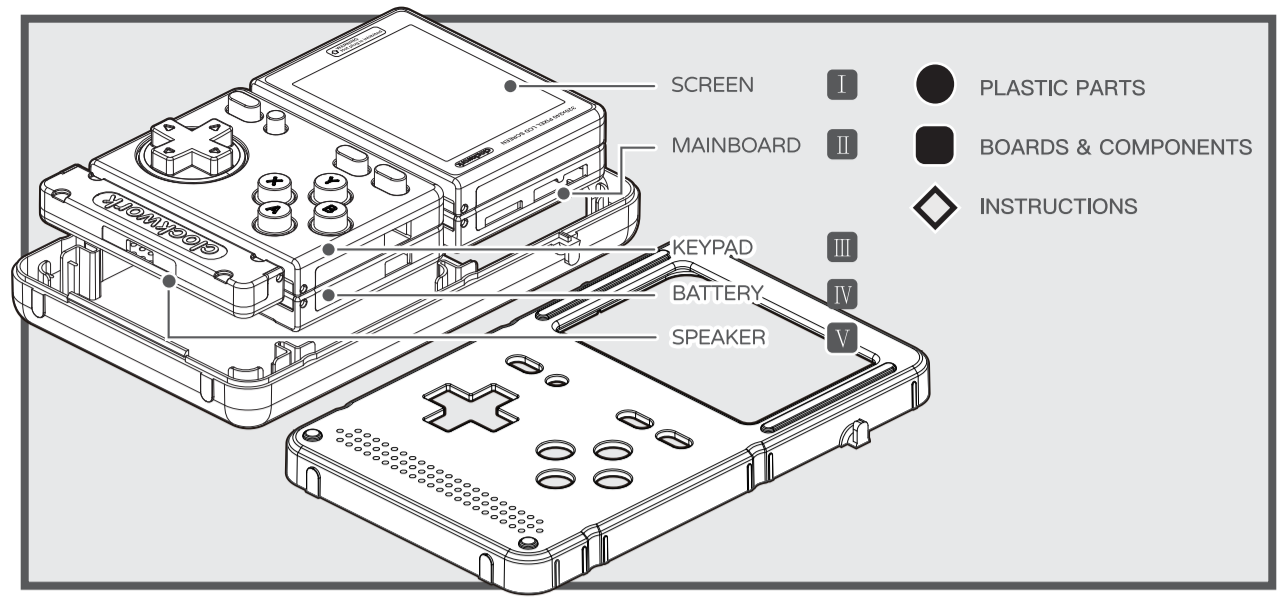
Clockwork and the clockwork logo are trademarks or registered trademarks of clockwork tech, inc. in the U.S. ©2018 clockwork tech, inc.

clockworkpi.com hello@clockworkpi.com

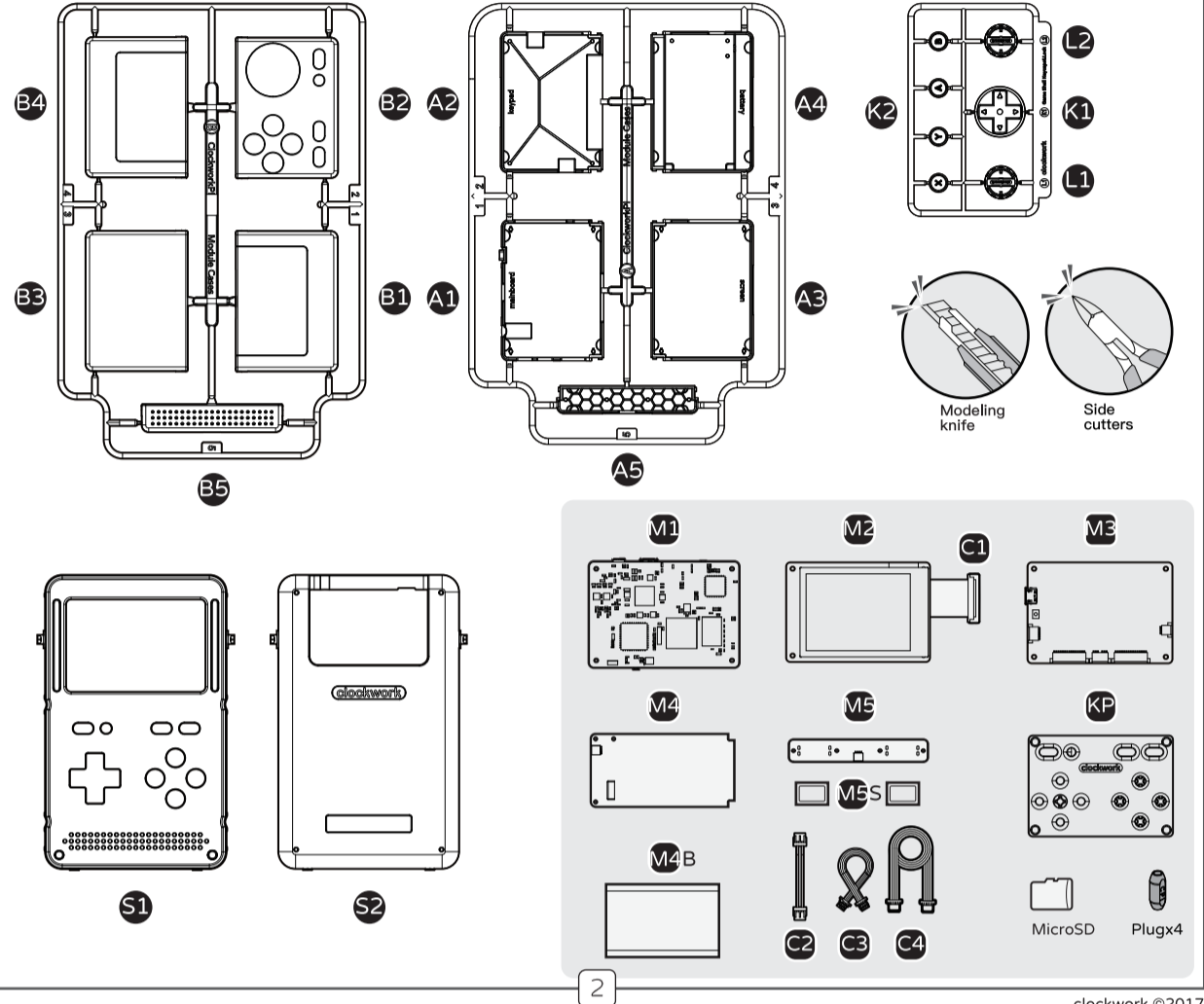


WARNING

- This product is not suitable for children under 11 years of age. 11–15 year olds need to be supervised by adults.
- Keep the plastic bags away from babies and children.
- Read the manual before you start assembling.
- Make sure that the kit is complete with all the parts.
- After cutting the shell parts with pliers, Use the knife and the file to cut off the excess.
- Avoid direct touch with the components on the PCB board.
- Avoid handling the PCB while it is powered.
- Only handle by the edges to minimise the risk of electrostatic discharge damage.
- Do not expose it to water, moisture or place on a conductive surface while in operation
- Do not expose it to heat from any source; the product is designed for reliable operation at normal ambient room temperatures.

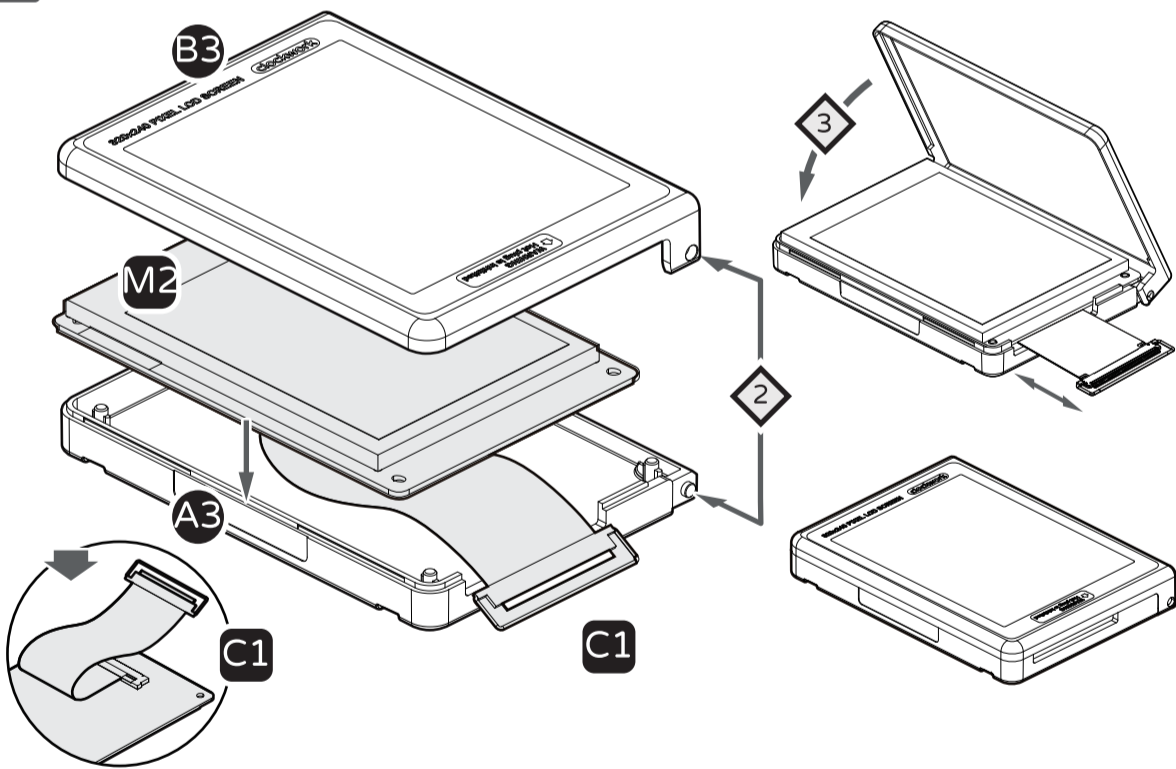


PARTS LIST

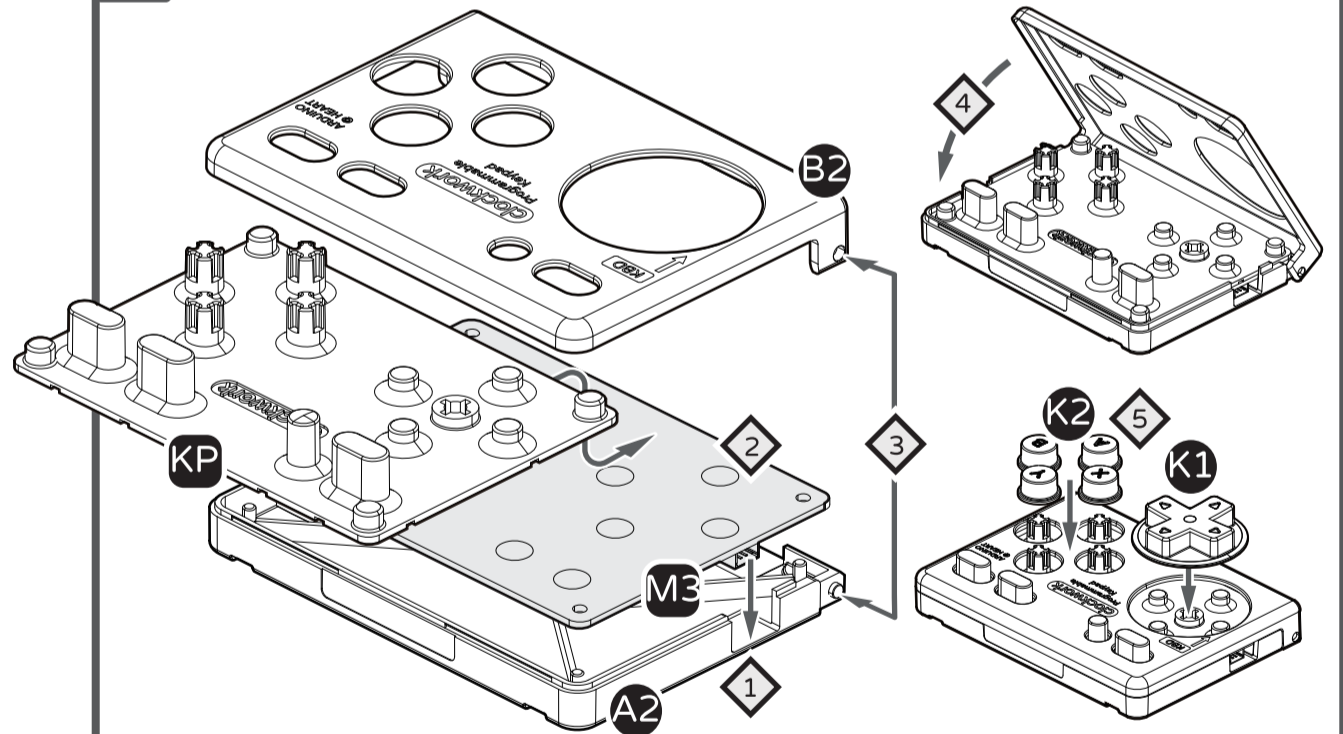


clockwork ©2017

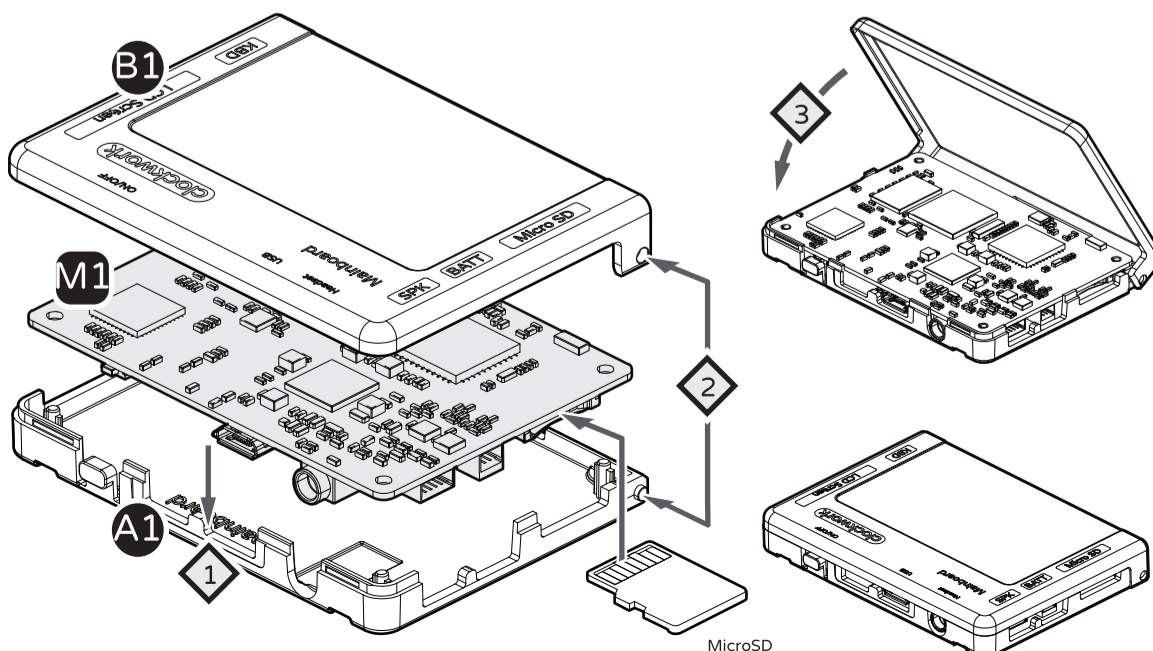
I SCREEN



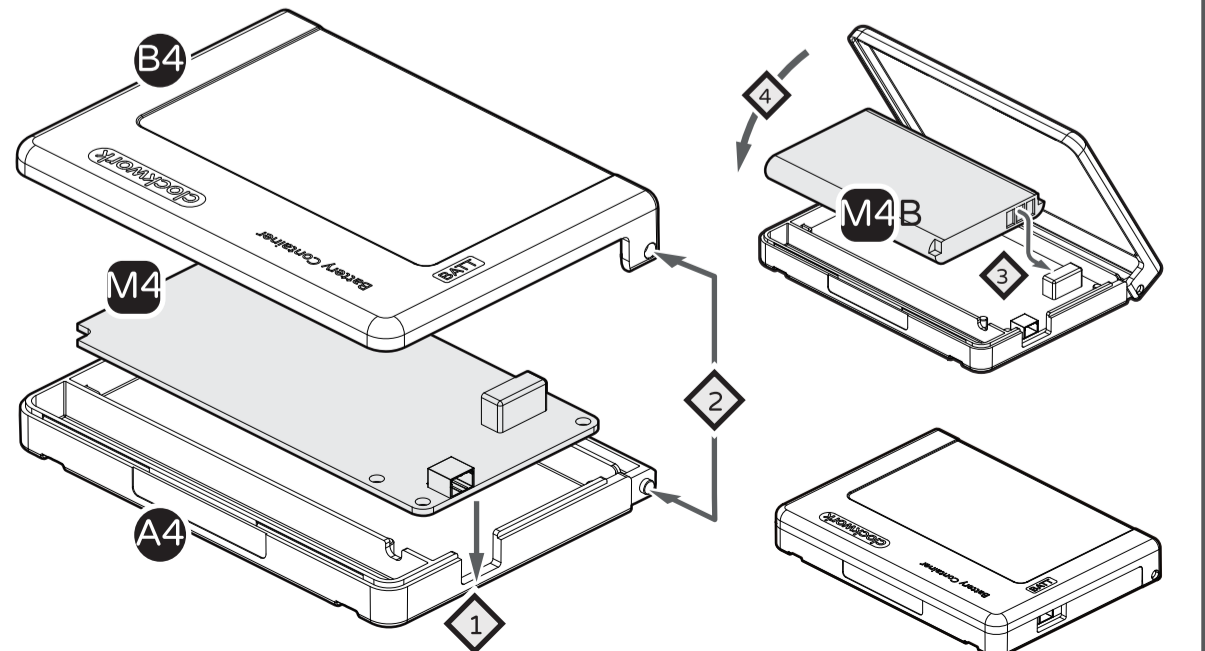
III KEYPAD



II MAINBOARD



IV BATTERY



3

4

