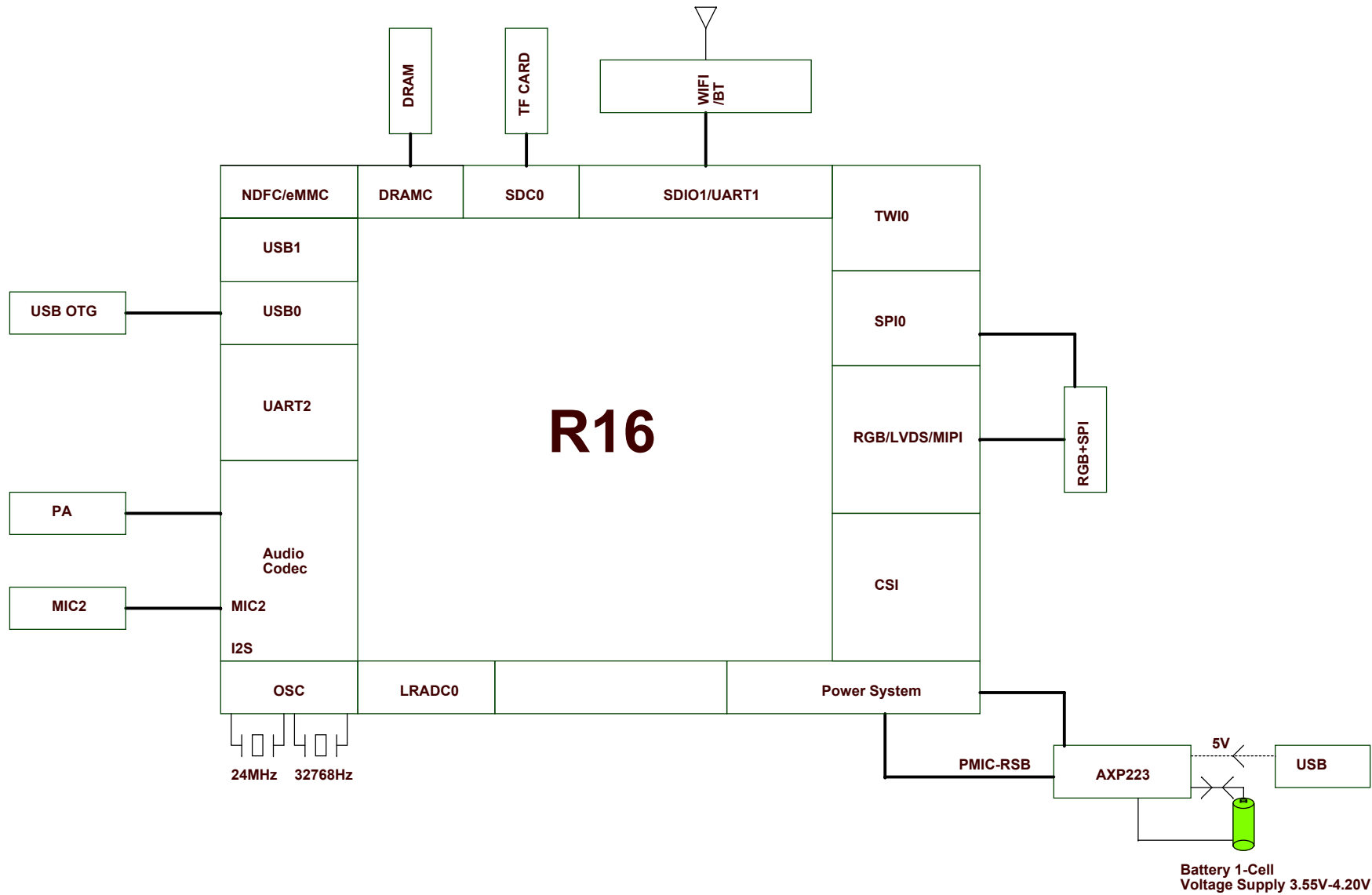


VERSION HISTORY

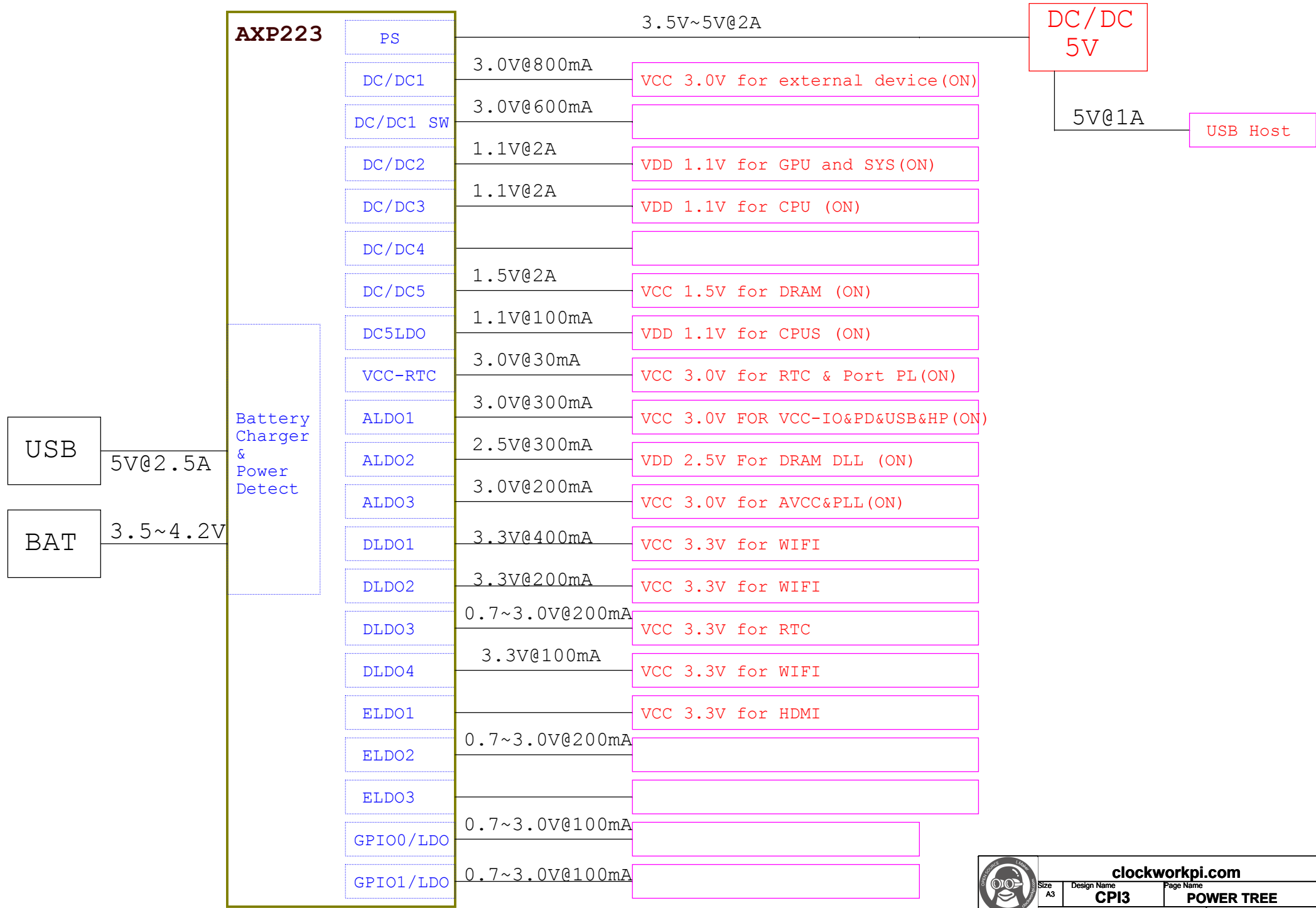
Schematics Index

- P01: VERSION HISTORY
- P02: BLOCK DIAGRAM
- P03: POWER TREE
- P04: DRAM DDR3
- P05: CPU
- P06: POWER
- P07: TF-CARD&USB&KEY
- P08: AUDIO&DEBUG
- P09: SDIO WIFI&BT
- P10: HDMI&LCD

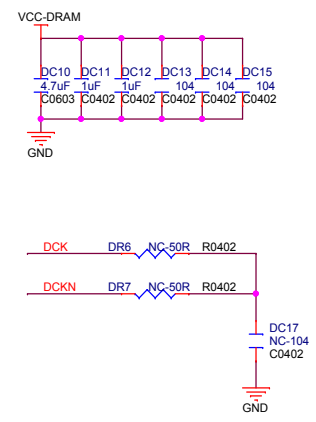
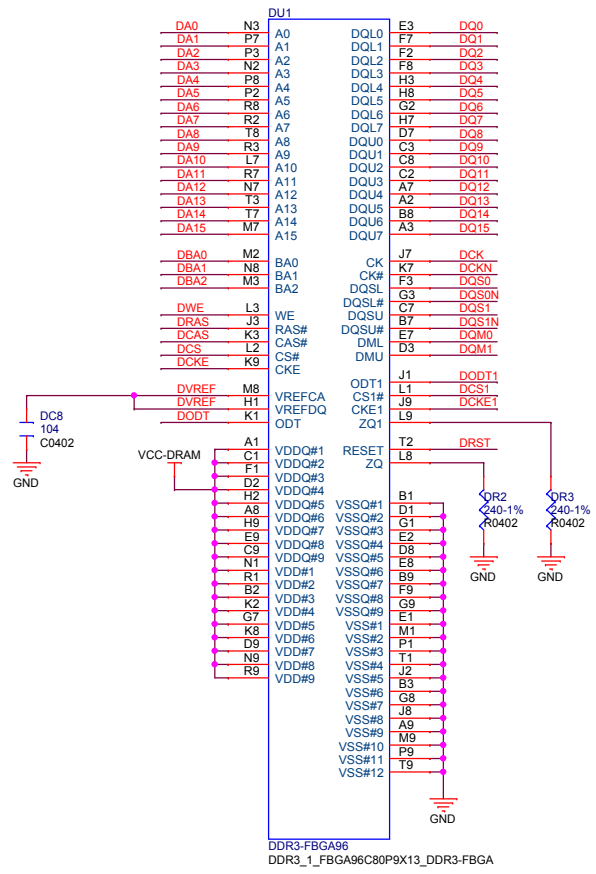
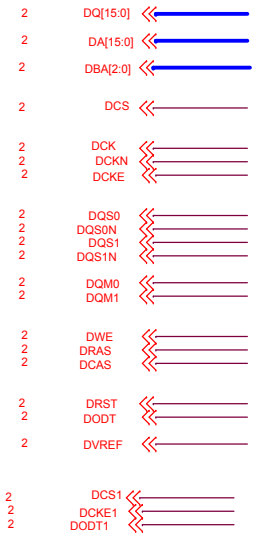
BLOCK DIAGRAM



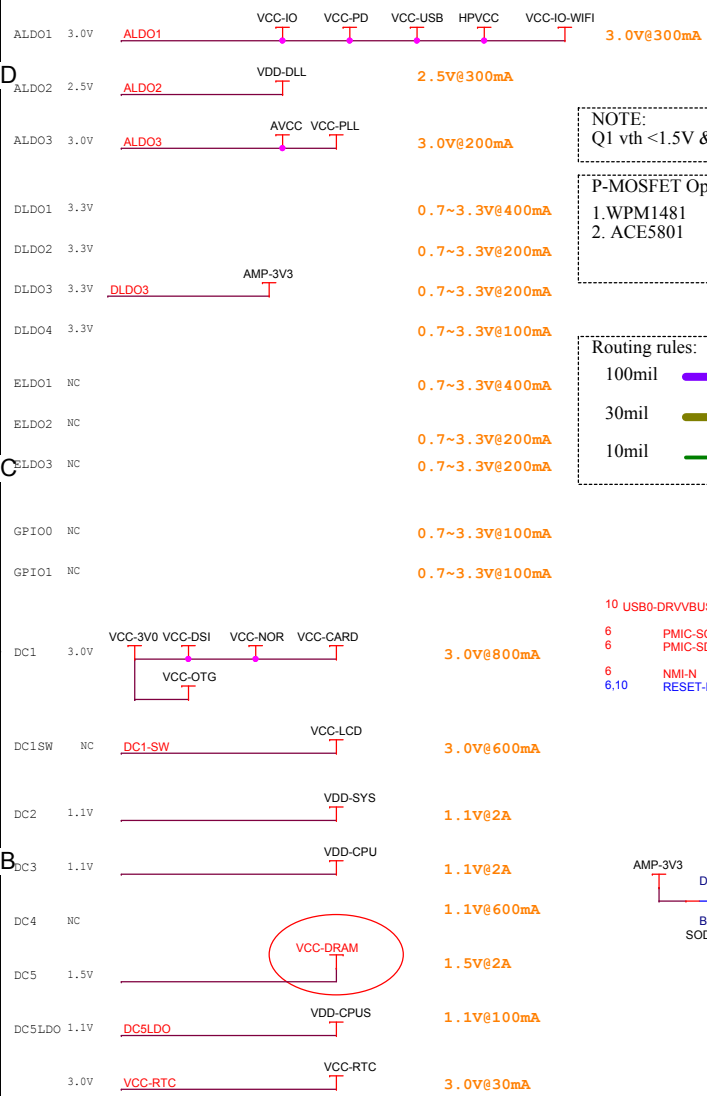
POWER TREE



DRAM DDR3 16x1



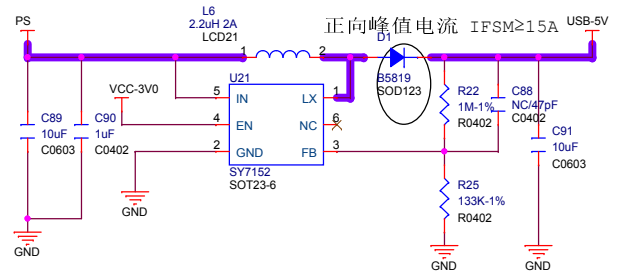
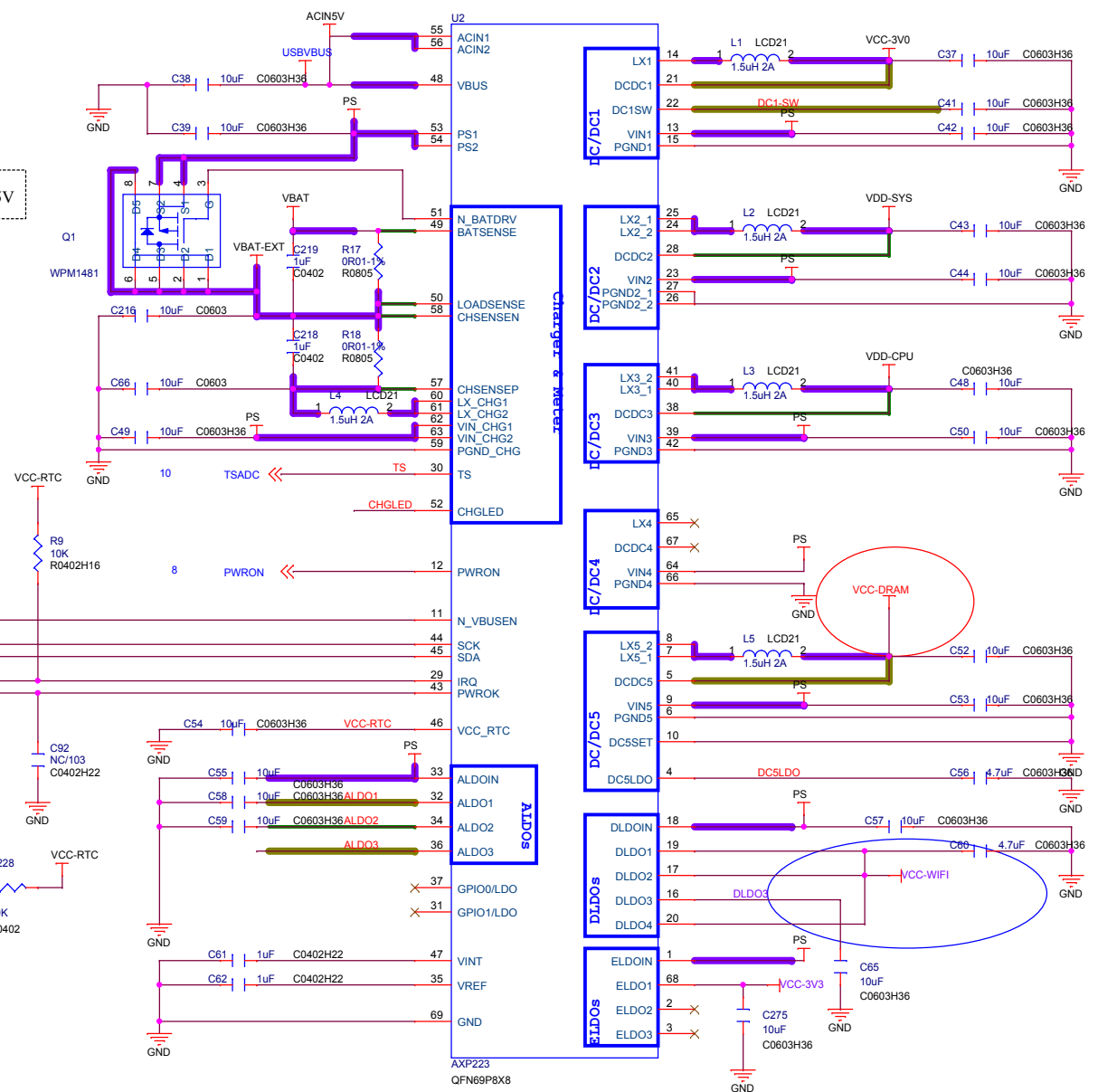
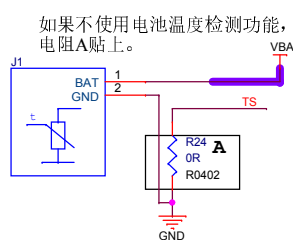
POWER



NOTE:
Q1 vth < 1.5V & R < 30mohm@vgs=4.5V

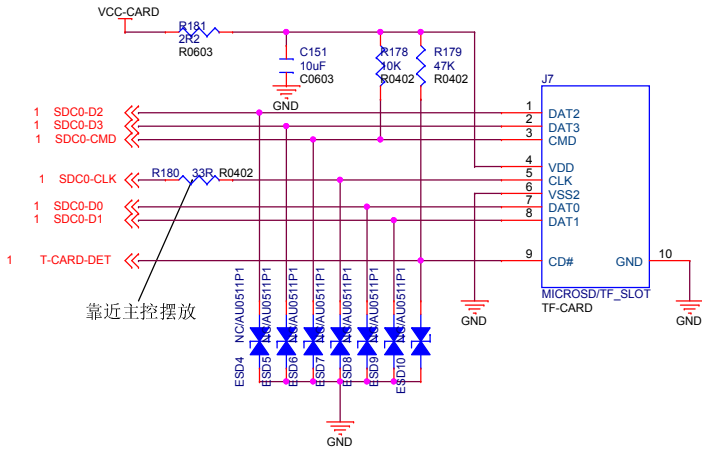
P-MOSFET Option:
1. WPM1481
2. ACE5801

Routing rules:
100mil
30mil
10mil

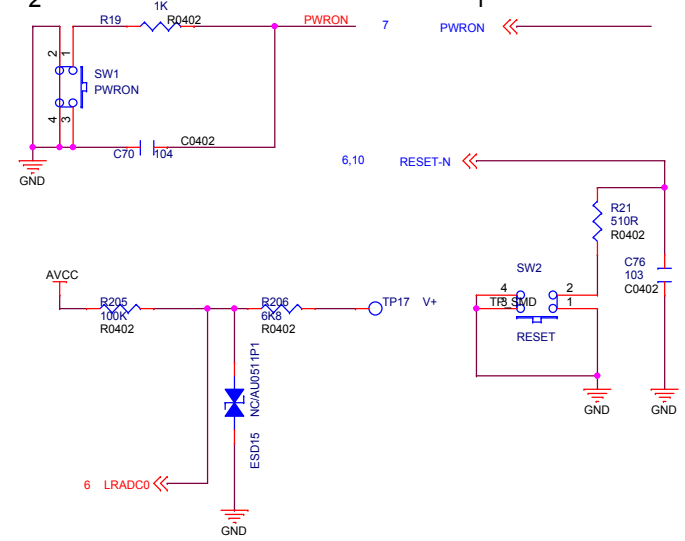


FLASH

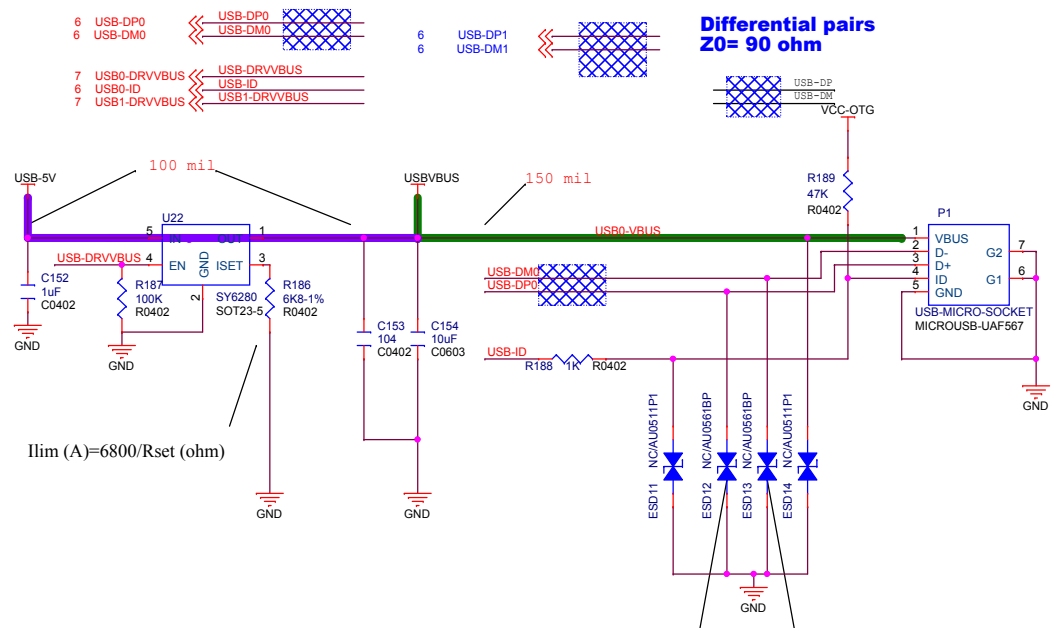
T-CARD



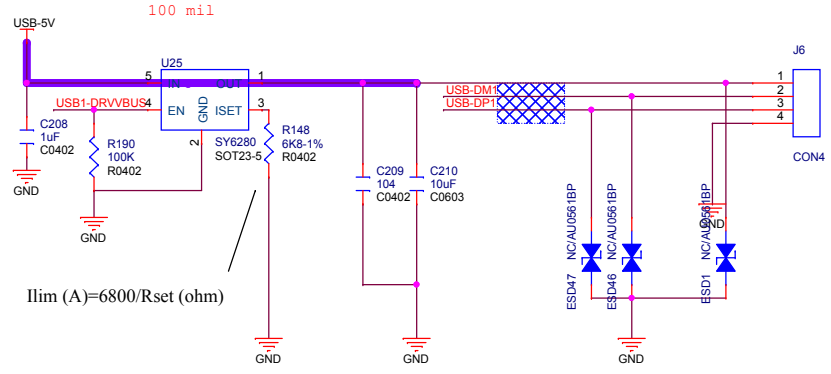
KEY

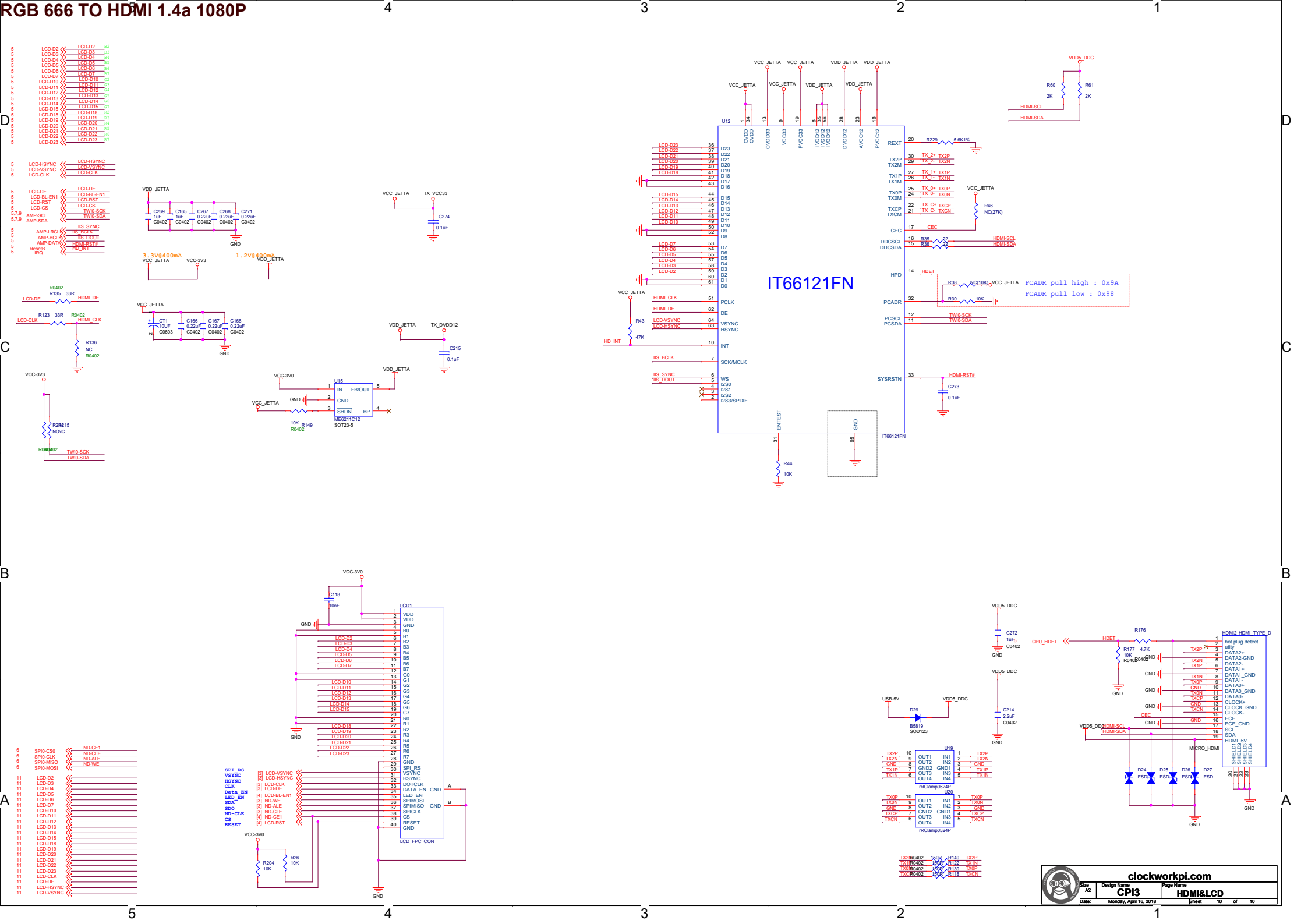


USB



DP、DM上的ESD器件寄生电容要小于5pF





5	LCD-D2	LCD-D2
5	LCD-D3	LCD-D3
5	LCD-D4	LCD-D4
5	LCD-D5	LCD-D5
5	LCD-D6	LCD-D6
5	LCD-D7	LCD-D7
5	LCD-D8	LCD-D8
5	LCD-D9	LCD-D9
5	LCD-D10	LCD-D10
5	LCD-D11	LCD-D11
5	LCD-D12	LCD-D12
5	LCD-D13	LCD-D13
5	LCD-D14	LCD-D14
5	LCD-D15	LCD-D15
5	LCD-D16	LCD-D16
5	LCD-D17	LCD-D17
5	LCD-D18	LCD-D18
5	LCD-D19	LCD-D19
5	LCD-D20	LCD-D20
5	LCD-D21	LCD-D21
5	LCD-D22	LCD-D22
5	LCD-D23	LCD-D23

5	LCD-HSYNC	LCD-HSYNC
5	LCD-VSYNC	LCD-VSYNC
5	LCD-CLK	LCD-CLK

5	LCD-DE	LCD-DE
5	LCD-BL-EN	LCD-BL-EN
5	LCD-RST	LCD-RST
5	LCD-CS	LCD-CS
5.7.9	AMP_SCL	TW0-SCK
5.7.9	AMP_SDA	TW0-SDA

5	AMP_LRCLK	IS_SYNC
5	AMP_BCLK	IS_BCLK
5	AMP_DATA	IS_DOUT
5	AMP_RST	HDMI_RST#
5	IRG	HD_INT

6	SPI0-CLK	ND-CE1
6	SPI0-MISO	ND-CLE
6	SPI0-MOSI	ND-WE

11	LCD-D2	
11	LCD-D3	
11	LCD-D4	
11	LCD-D5	
11	LCD-D6	
11	LCD-D7	
11	LCD-D8	
11	LCD-D9	
11	LCD-D10	
11	LCD-D11	
11	LCD-D12	
11	LCD-D13	
11	LCD-D14	
11	LCD-D15	
11	LCD-D16	
11	LCD-D17	
11	LCD-D18	
11	LCD-D19	
11	LCD-D20	
11	LCD-D21	
11	LCD-D22	
11	LCD-D23	

6	SPI0-CLK	ND-CE1
6	SPI0-MISO	ND-CLE
6	SPI0-MOSI	ND-WE

11	LCD-D2	
11	LCD-D3	
11	LCD-D4	
11	LCD-D5	
11	LCD-D6	
11	LCD-D7	
11	LCD-D8	
11	LCD-D9	
11	LCD-D10	
11	LCD-D11	
11	LCD-D12	
11	LCD-D13	
11	LCD-D14	
11	LCD-D15	
11	LCD-D16	
11	LCD-D17	
11	LCD-D18	
11	LCD-D19	
11	LCD-D20	
11	LCD-D21	
11	LCD-D22	
11	LCD-D23	

11	LCD-DE	
11	LCD-HSYNC	
11	LCD-VSYNC	